

Project: Type: Product Catalog Submittal:



NANO NALU

Fixture Description:
A sculptural formed illuminator. Provides general accent illumination to highlight landscape vegetation or hardscape.

Material:
Solid brass construction.
Diffusion Glass Lens.

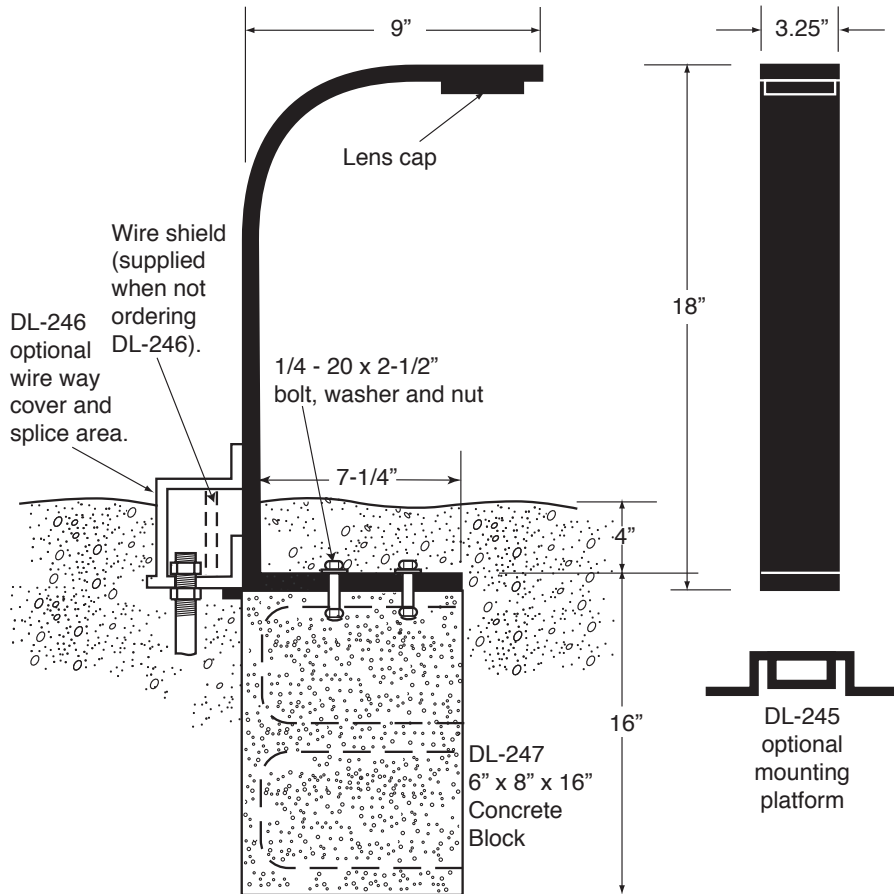
Dimensions:
Height: 18"
Arm Extension: 9"
Base: 7-1/4"
Width: 3.25"

Lamping Options:
8 Watt 24v DC 2700K Cluster, 200 Lumens.
G4 3 Watt 12v AC/DC LED Wafer, 200 Lumens 2700K or 3000K.

Electrical:
Remote 24-volt constant voltage driver for 8 Watt LED.
Remote 12-volt AC/DC power supply for G4 4 Watt LED.

Mounting and Mounting Accessories:
Base is supplied with 2-3/8" holes for bolting down to below grade mounting platform or concrete block.

Optional:
DL-245 Brass Mounting Platform.
DL-246 Brass 1/2" PVC Bottom Plate with wire way cover.
DL-247 Concrete Block.



Model	Construction	Lamp	Finishes
DLED-187-8W	Solid Brass	8W Cluster 24V DC LED-2700K	1 through 17 listed below.
DLED-187-3W	Solid Brass	3W Wafer 12v AC/DC-2700K or 3000K	

Mounting and Accessories:

- DL-245 Mounting Platform
- DL-246 1/2" PVC Bottom Plate with wire way cover
- DL-247 Concrete Block

Finishes:

1. Verde Metal Etch
2. Satin Nickel (Plated Finish)
3. Copper Bronze Metal Etch
4. White Powder Coat
5. Ancient Bronze Metal Etch
6. Brass Bronze Metal Etch
7. Custom Color Finish
8. Copper Plate (Plated Finish)
9. Ancient Verde Metal Etch
10. Grey Bronze Metal Etch
11. Rust Brown Powder Coat
12. Black Powder Coat
13. Pewter (Plated Finish)
14. Oil Rubbed Bronze
15. Copper Edge Bronze Powder Coat
16. Black Iron Textured Matte Powder Coat
17. Copper Bronze Powder Coat
18. Marine Bronze Powder Coat (Oil Rubbed Bronze Alternative)
19. Polished Brass



Intertek
UL 1838

DLED-187_Nano Nalu 071522