

Reflections III

Installation Instructions

dreamscape
LIGHTING MFG., INC.

Table of Contents

Installation Instructions	2
Positioning Diagrams	3
Removing LED Mounting Platform	4
Adjusting the Housing	5
Avoiding a Warped Housing	6
Installing Snug Fit Clips on Reflections III Lens	7
Lens Fit Check	8
Install Electrical Wires	9

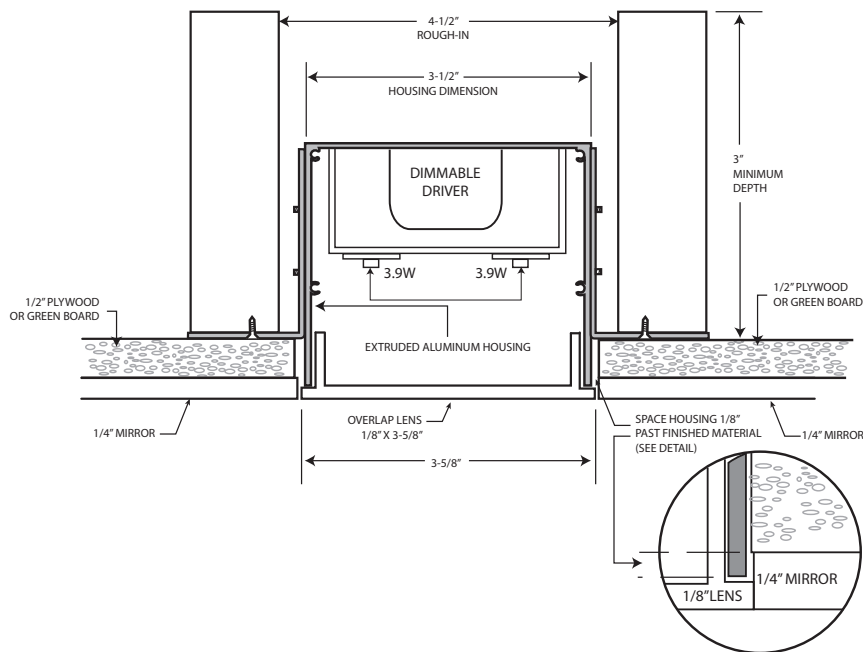
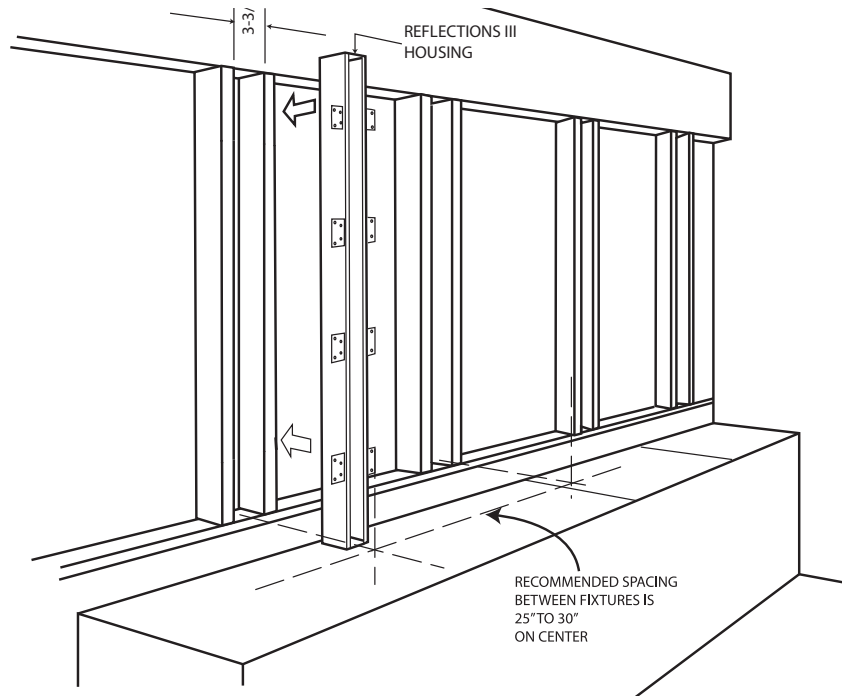
Installation Instructions

Please inspect Reflections III unit before installing. Instructions for removing the LED mounting platform, which allows complete inspection of the housing can be found on page 3.

1. Install rough framing which is both vertically and horizontally level where Reflections III is to be located. Create opening in framing three inches longer than the fixture and 4-1/2" wide. All framing dimensions should be accurate to 1/16th tolerance. The use of only very straight framing materials is recommended in order to make installation easier. Remove LED module from fixture and store for later installation if installed inside fixture already.
2. Attach mounting brackets of housing to framing. **IMPORTANT:** Leave the spacer in the housing while attaching the mounting brackets of the housing to the framing. Be sure to mount screws at a 90 degree angle to the framing. Do not squeeze width of housing when handling fixture, because it may change the inside housing dimension and prevent the installation of the lens. After the mounting brackets have been secured to the framing, then remove the spacer.
3. Tighten all internal screws on brackets to secure fixture to framing. Be sure housing is both vertically and horizontally level. **RECHECK** housing to verify that edge is still 1/8th inch past finish material **IMPORTANT:** Check that lens still fits in housing and that housing shape has not been distorted in any way during installation. Check that housing is both vertically and horizontally level. Install lens into housing by feeding the legs of the lens into the housing and then press the lens into the opening. Start from one end and gradually feed the entire lens into the fixture. Remove lens by using the supplied suction cup to pull lens out of housing and store.
4. Bring rough wiring, per NEC requirements through the end knockout into the raceway channel provided. Wire should be rated a minimum of 90 degrees Centigrade. Supply hot, neutral, and ground wire for a switched fixture or the appropriate additional conductors for a dimmable driver. Per NEC requirements, supply appropriate voltage and grounding for the installed driver. Install LED module after rough wiring is complete and test fixture. Reinstall spacer into housing and leave inside until mirror is to be installed.
5. Wipe the lens inside and out with a soft cloth to eliminate any spots that could create shadows. Install lens into housing by feeding the legs of the lens into the housing and then press the lens into the opening. Start from one end and gradually feed the entire lens into the fixture.
Important: Finish lens should be installed in housing before mirror is installed.
6. Mirror should be installed so that the edge of the mirror is flush with the edge of the lens. Face of lens should also be flush with the mirror.

RELAMPING INSTRUCTIONS: Contact factory for new LED module.

Positioning Diagrams



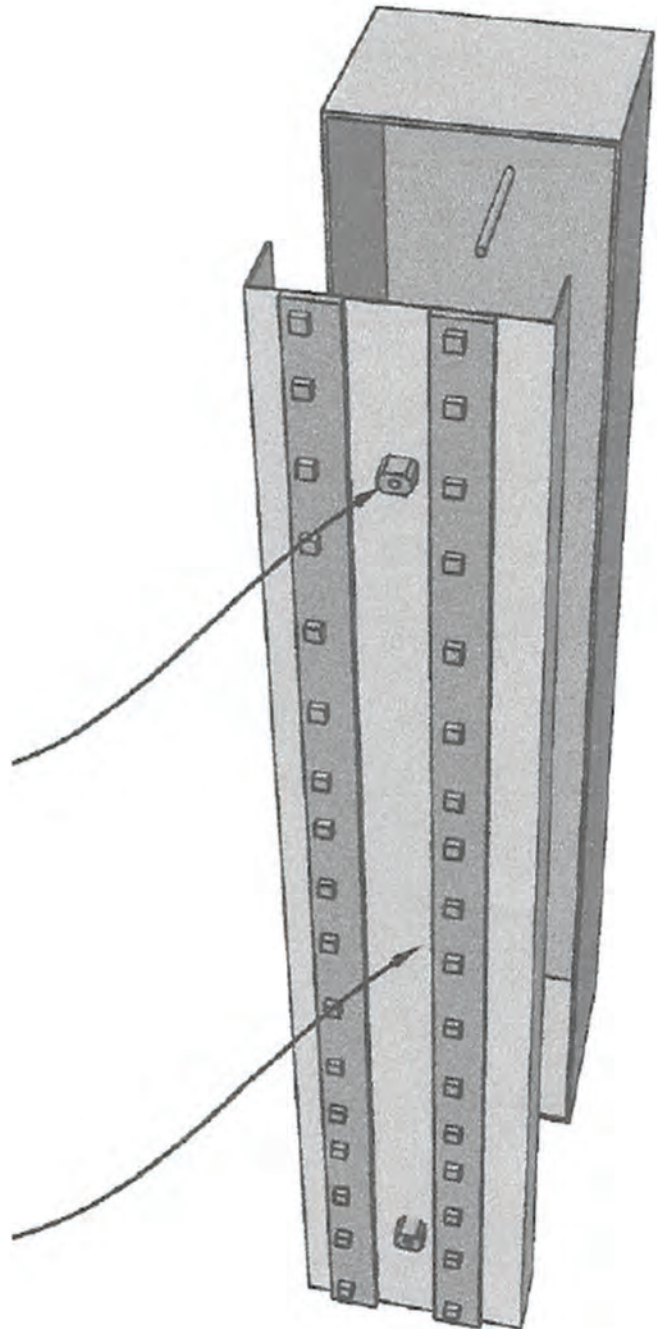
Rough-in Dim.	4-1/2" WIDE x 3" LONGER THAN HOUSING
Housing Dim.	3-1/2" x 3" x SPECIFIED LENGTH
Lens Dim.	3-5/8" WIDE x HOUSING LENGTH + 1/8"

Removing LED Mounting Platform

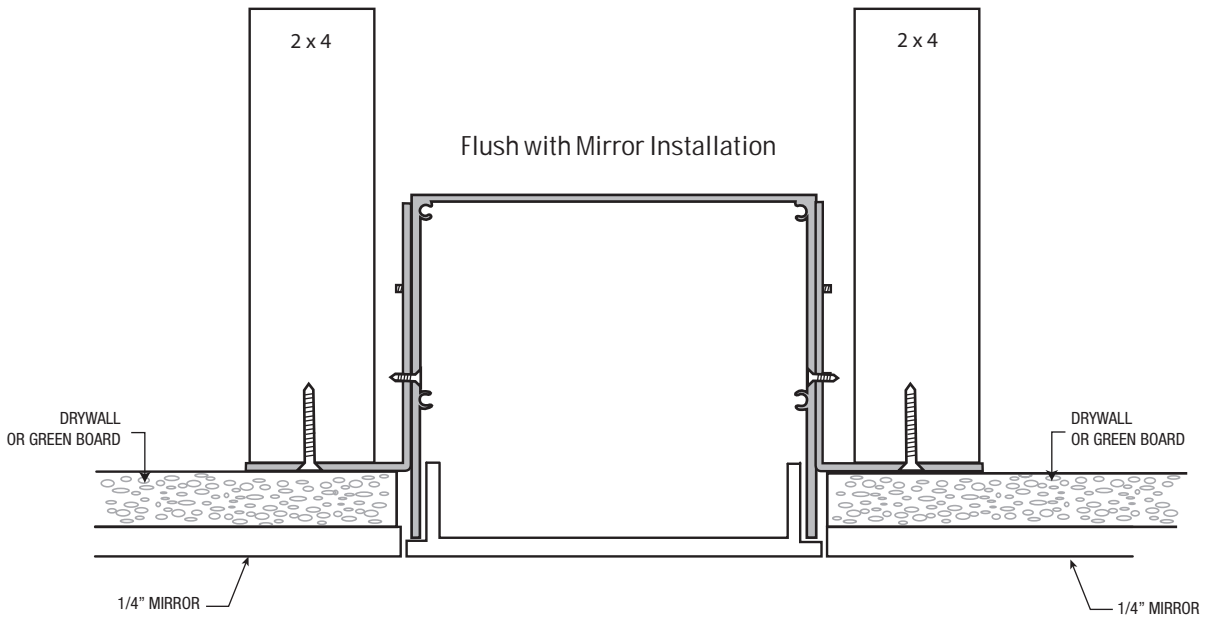
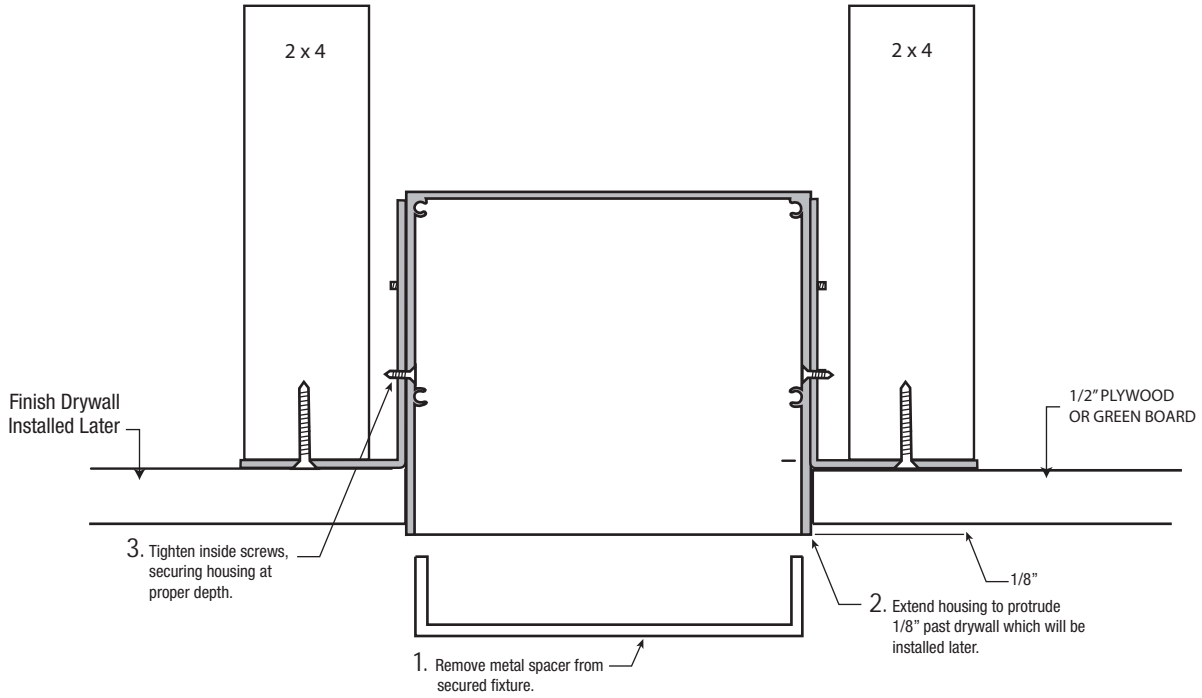
Note to installer: Be sure to store LED platform in a safe area as the LED's are prone to damage in a construction environment

1. Remove nut and washer.

2. Remove LED mounting platform and store in safe area.
You can now access the mounting brackets.



Adjusting Housing



How to avoid a warped housing and insure a proper, snug lens installation.

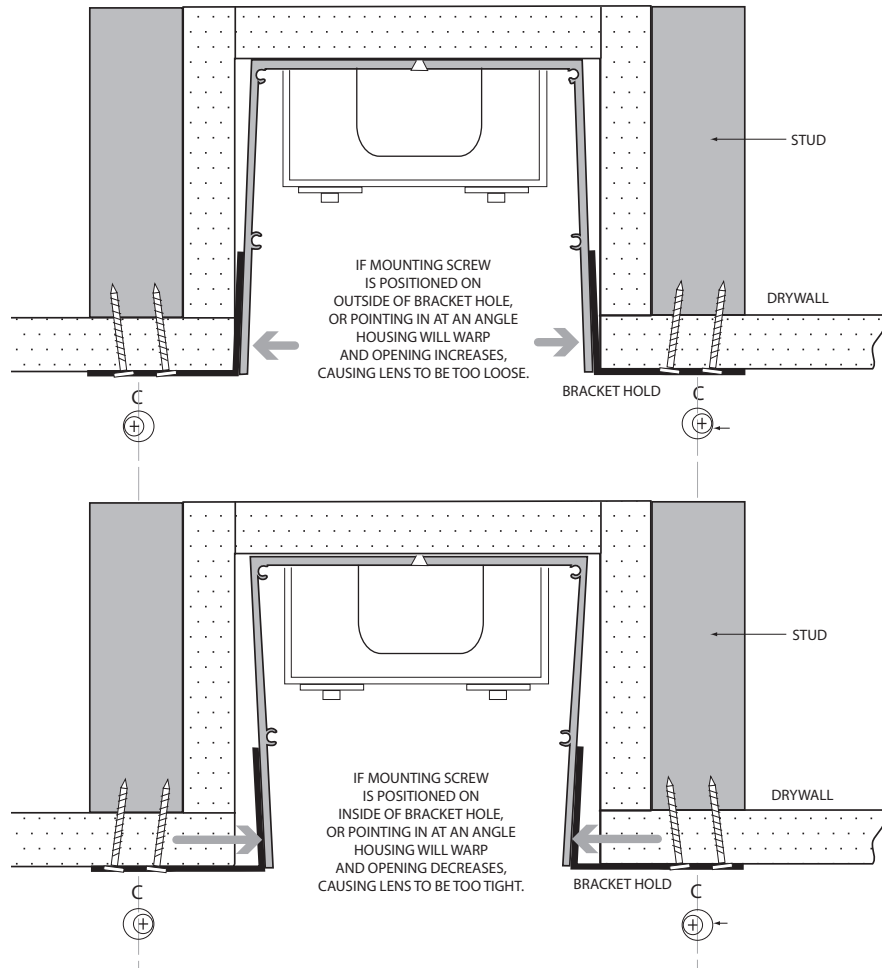
IT IS CRITICAL TO A SUCCESSFUL INSTALLATION TO MAKE SURE THAT SCREWS DRILLED IN MOUNTING BRACKETS ARE DONE PROPERLY TO AVOID SHIFTING OF REFLECTIONS III HOUSING THAT COULD CAUSE A SLIGHT WARPING OF HOUSING. PLEASE READ AND FOLLOW THESE INSTRUCTIONS CAREFULLY.

1. When inserting screws into REFLECTIONS III mounting brackets, make sure that screws are dead center in mounting holes, and at a true 90° angle. This will insure that the housing does not warp or move slightly due to off-center placement or angled insertion of mounting screws.

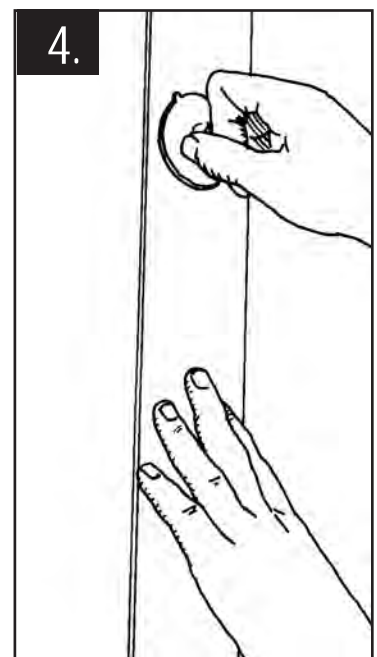
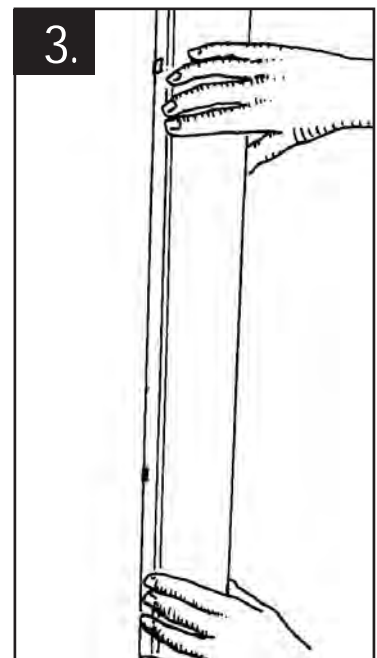
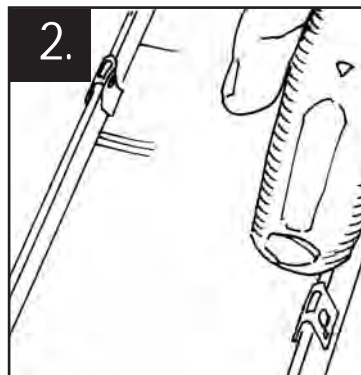
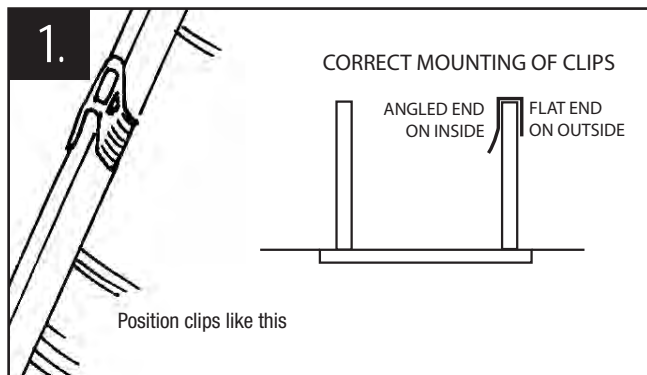
2. Incorrect placement of screws and an angled pitch will cause housing to warp and move slightly. This will cause a faulty lens installation.

3. When REFLECTIONS III fixture is installed per instructions above, take lens section and run it up and down the opening in REFLECTIONS III housing to insure that housing sides are even and parallel to each other. If lens sample catches or if you notice bends or gaps between the housing and lens, screws have not been placed correctly. Lens section should slide evenly and snugly along the full length of the REFLECTIONS III housing.

4. Install REFLECTIONS III full lens.

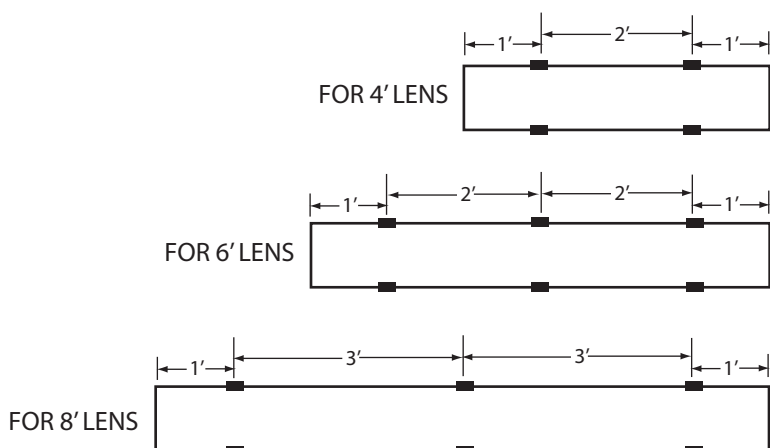


Installing Snug Fit Clips on Reflection III Lens



IMPORTANT NOTE: WEAR GLOVES BEFORE INSTALLING CLIPS

1. Turn lens over and locate inner acrylic lip that runs the length of lens on both sides. Stagger clips, a few on each side, on the inner lip of lens. Place in position but do not press down to lock in place.
2. Using the butt end of a screwdriver or other similar tool (do not hammer), tap clip down so that it is firmly locked in place on the inner lip of lens.
3. Using both hands, carefully position lens over fixture, and gently push lens into place working from the top to the bottom, never exerting more than firm pressure. Clips will create a tighter fit.
4. To remove lens, use suction cup included with fixture. Wet suction cup lightly and press against lens front 6" from end of fixture. Carefully pull on suction cup exposing the end of the lens. Grab onto end of lens and slowly pull out of fixture.



NOTE: SUGGESTED CLIP PLACEMENT SHOWN ABOVE. CLIPS SHOULD BE MOUNTED A MAXIMUM OF 3' APART AND NO CLOSER THAN 3" FROM END OF LENS.

IMPORTANT: CLIPS ARE NOT ALWAYS REQUIRED ON WALL MOUNT FIXTURES. PLEASE TEST LENS FOR TIGHTNESS BEFORE INSTALLING CLIPS.

Lens Fit Check

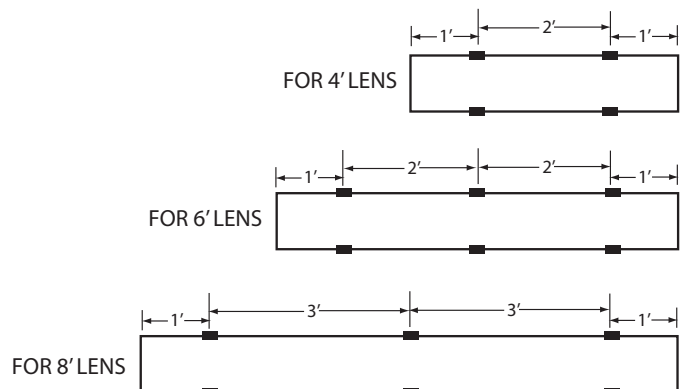
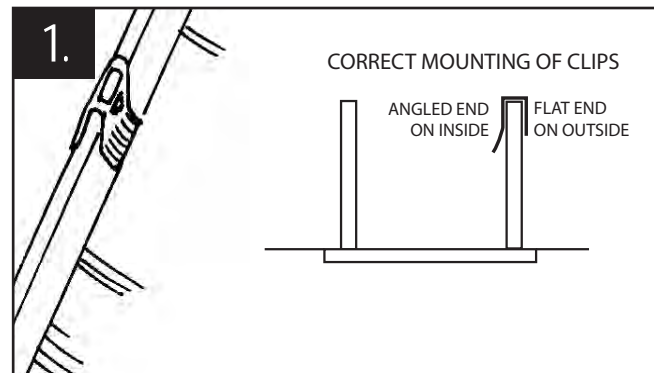
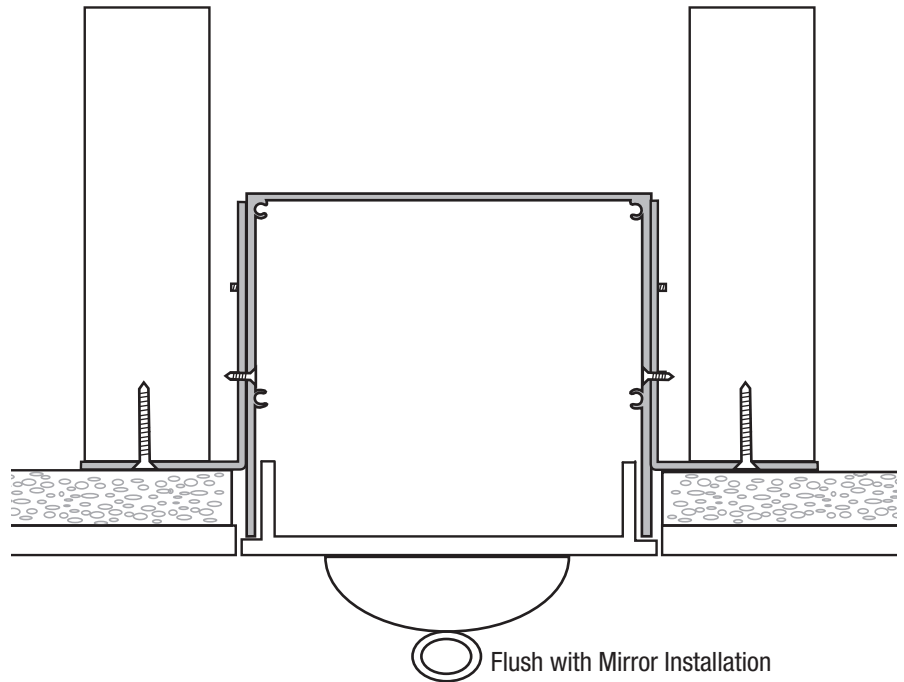
1. Install Lens into housing to check for fit. Lens should fit snug but not need to be forced. If Lens is loose or tight, check that hanger bars are screwed in correctly.

IMPORTANT: Always use suction cup to remove lens.

2. If Lens is still loose after adjustment, install Snug Fit Clips onto lens and check fit.

Check that housing is both vertically and horizontally level. To install lens, starting from one end, feed the edge of the U-shaped Lens into the fixture by squeezing lightly on the end rails as you slowly slip it into the housing. The end of the lens should be touching the end cap at this point and remain touching until complete lens is installed. If you leave a gap, the lens will not fit. It should be a snug fit. Keep pushing the lens in until it fills the opening completely and becomes flush with the housing.

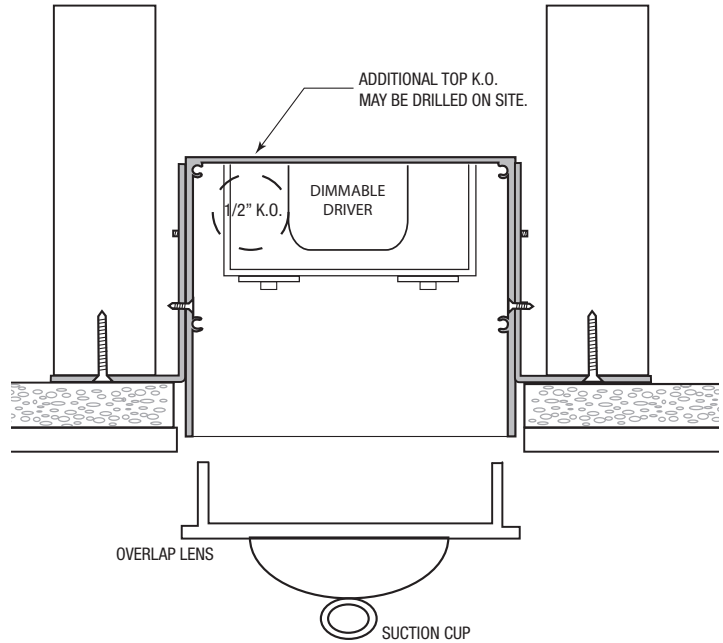
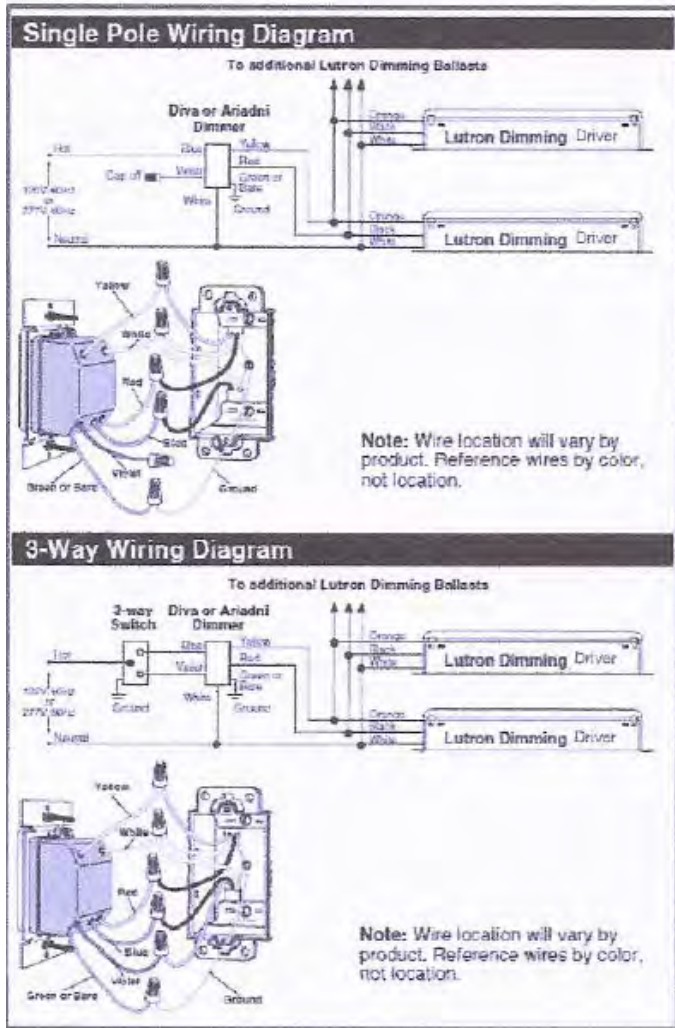
To remove Lens, start pulling on Lens with the supplied suction cup. Pull straight out on the lens and it will come away from the housing. After the lens is exposed, gradually pull it out of the housing. Do not mix lenses. Store lens safely.



NOTE: SUGGESTED CLIP PLACEMENT SHOWN ABOVE. CLIPS SHOULD BE MOUNTED A MAXIMUM OF 3' APART AND NO CLOSER THAN 3" FROM END OF LENS.

Install Electrical Wires

1. Lutron LTE will require 2 feed wires.
2. Universal 0-10 will require 2 feed wires and 2 extra wires for dimming control.



Notes

dreamscape
L I G H T I N G M F G . , I N C .

Dreamscape Lighting Mfg., Inc.
5521 W. Washington Blvd. • Los Angeles, CA 90016
Phone: 323-933-5760 • FAX: 323-933-3607
info@dreamscapelighting.com •
www.dreamscapelighting.com