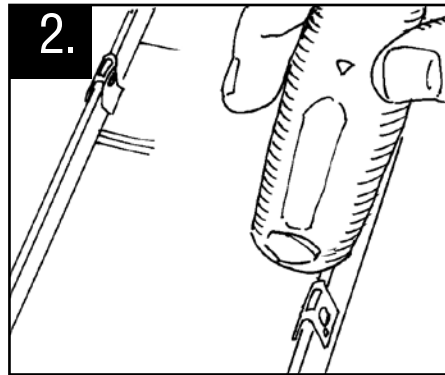
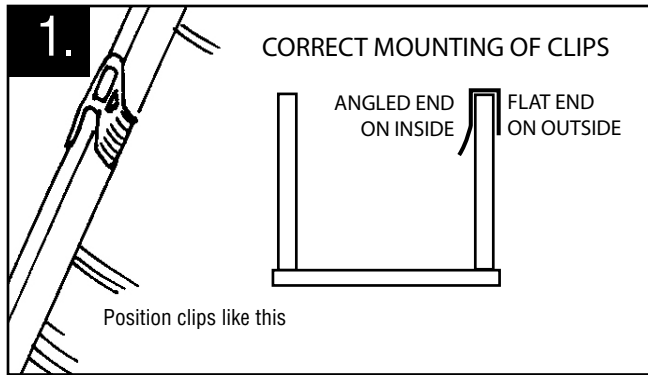
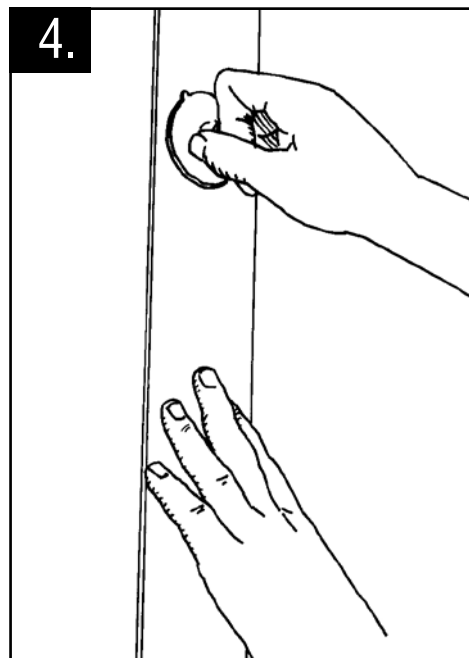
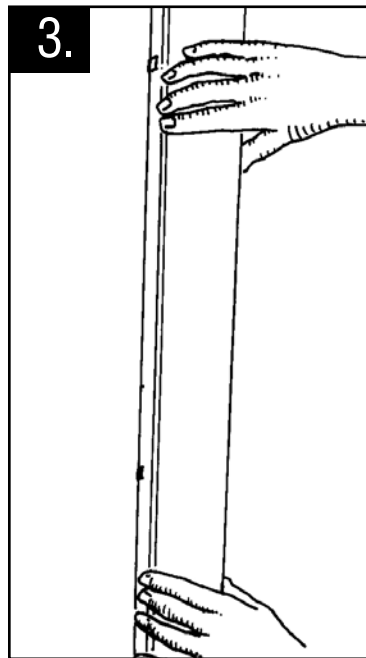


# Installing Snug Fit Clips for Recessed Linear Lens



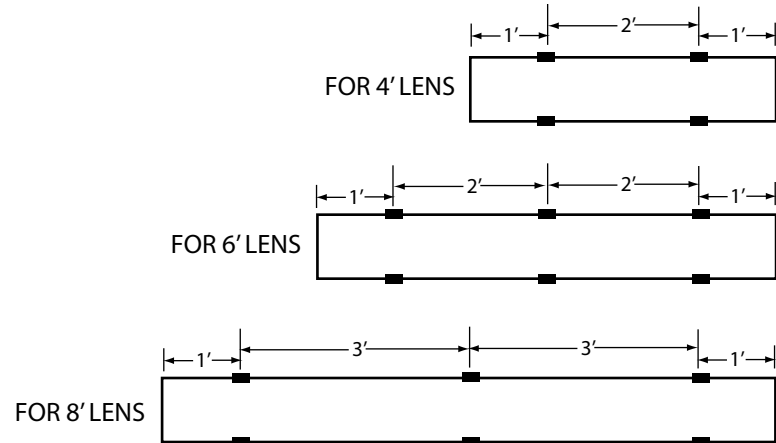
**IMPORTANT NOTE: WEAR GLOVES BEFORE INSTALLING CLIPS**

1. Turn lens over and locate inner acrylic lip that runs the length of lens on both sides. Stagger clips, a few on each side, on the inner lip of lens. Place in position but do not press down to lock in place.
2. Using the butt end of a screwdriver or other similar tool (do not hammer), tap clip down so that it is firmly locked in place on the inner lip of lens.
3. Using both hands, carefully position lens over fixture, and gently push lens into place working from the top to the bottom, never exerting more than firm pressure. Clips will create a tighter fit.



4. To remove lens, use suction cup included with fixture. Wet suction cup lightly and press against lens front 6" from end of fixture. Carefully pull on suction cup exposing the end of the lens. Grab onto end of lens and slowly pull out of fixture.

**IMPORTANT: CLIPS ARE NOT ALWAYS REQUIRED ON WALL MOUNT FIXTURES. PLEASE TEST LENS FOR TIGHTNESS BEFORE INSTALLING CLIPS.**



**NOTE: SUGGESTED CLIP PLACEMENT SHOWN ABOVE. CLIPS SHOULD BE MOUNTED A MAXIMUM OF 3' APART AND NO CLOSER THAN 3" FROM END OF LENS.**