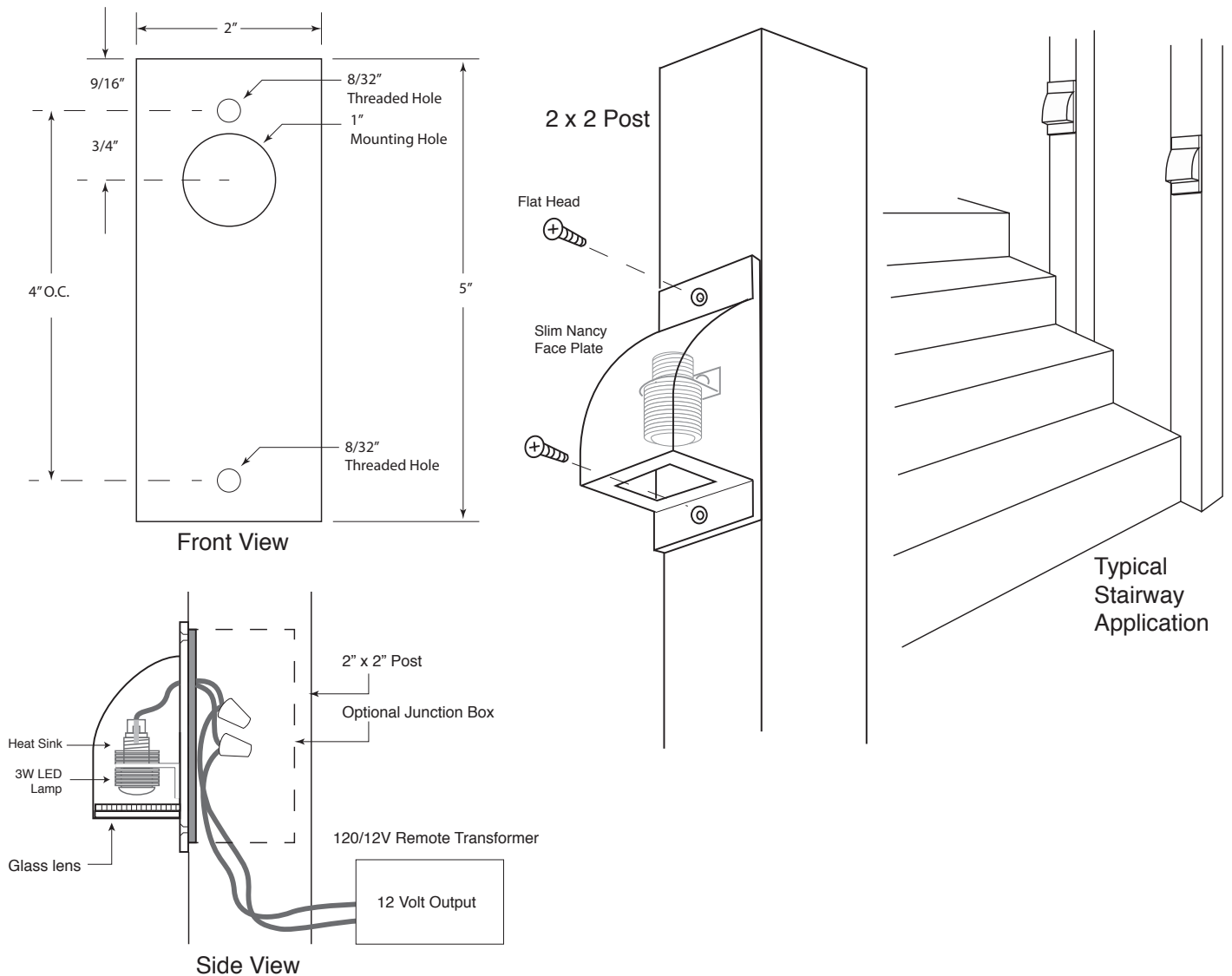


Installation Instructions

DLED-129 Slim Nancy Sconce Remote Transformer Mounting Detail



1. Drill and tap two 8/32" mounting holes and one 1" feed hole in a post (see diagram above).
2. Run feed wire from remote transformer to fixture location. Provide 12V AC/DC power to LED module.
3. Splice wires from fixture to feed wires from transformer. Feed wires into hole and attach fixture to post with supplied 8/32" screws.
4. Energize fixture with 12V AC/DC power.

dreamscape
LIGHTING MFG., INC.

©2016 Dreamscape Lighting Mfg., Inc.
5521 W. Washington Blvd. • Los Angeles, CA 90016 • Phone: 323-933-5760 • FAX: 323-933-3607
info@dreamscapelighting.com • www.dreamscapelighting.com • Specifications subject to change without notice

DLED-129-mounting_051616