

### Solid Brass Interior or Exterior Accent Lighting Fixture Suitable for Dry, Damp and Wet Location. Lamping: 1 x 4W LED 170 Lumens

PROJECT	TYPE	CATALOG NUMBER
---------	------	----------------

#### Fixture Description:

A cast brass wet location wall sconce utilizing a 4 watt energy saving 35,000 hour LED lamp for uplighting, downlighting, wall washing or grazing illumination techniques.

#### Construction:

A solid brass sand casting with a glass sealed louvered aperture.

#### Electrical:

**DLED-127:** Remote 12V power supply required.

**DLED-127-SSD:** 120V feed wire to LV. Integral electronic solid state power supply requiring a 120V-AC feed and supplying 12 Volt AC power to the led module. Power supply is dimmable using reverse phase technology with a neutral present.

#### Dimming:

Dimmable down to 20%.

#### Mounting:

Solid brass 8/32" phillips screws mount faceplate to custom housing or direct to surface.

**NOTE:** Fixture may be mounted directly to surface without the DL-278 Box and powered by a remote transformer.

#### Finishes:

1. Verde, 2. Satin Nickel, 3. Copper Bronze, 4. White, 5. Ancient Bronze, 6. Brass Bronze, 7. Custom, 8. Copper Plate, 9. Ancient Verde, 10. Grey Bronze, 11. Rust Brown\*, 12. Black\*, 13. Pewter, 14. Oil-Rubbed Bronze, 15. Copper Edged Bronze, 16. Black Iron Textured Matte\*, 17. Copper Bronze Powder Coat,

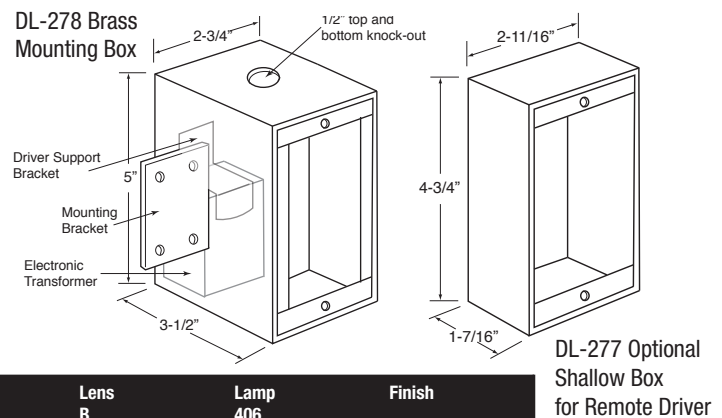
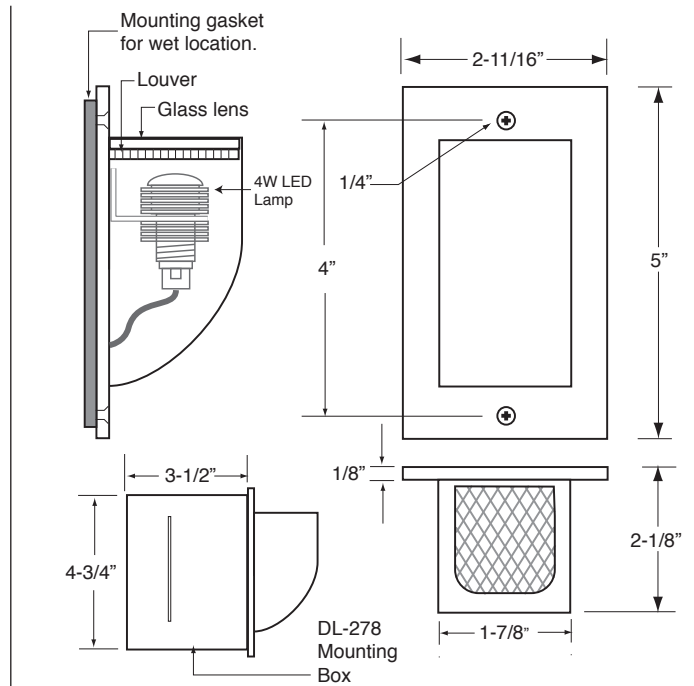
\*Denotes Powder Coat Finish.

#### Mounting Box:

Cat. Number	Description
DL-278	Brass mounting box
DL-277	Optional brass shallow housing for remote driver

#### Lamp:

Cat. Number	Description
406	4W 2750K, LED, Spot or Flood (40°), 170 lumens 12V AC/DC, Optional beam patterns available



To Form a Catalog Number:	Prefix:	Voltage	Location	Position	Lens	Lamp	Finish
	DLED-127-SSD	120	DRY	UP	A - Linear	406- 4W 2750K LED	4 (White)
Which Specifies:	DLED-127-SSD	120V	DRY	UP	A - Linear	406- 4W 2750K LED	4 (White)
	Includes DL-278 mounting box and solid state driver	277V	DAMP	DOWN	B - Diffusion	FL-Flood SP-Spot (other color temps. available)	See finishes above.
	DLED-127	12V	WET				
	Includes DL-278 mounting box. Requires remote transformer						
	Optional DL-277 Housing available						

Ordering Example: **DLED-127-SSD-120-DRY-UP-B-406-FL-4** (includes housing and solid state driver)  
**DLED-127-12V-DRY-UP-B-406-FL-4** (remote transformer required)