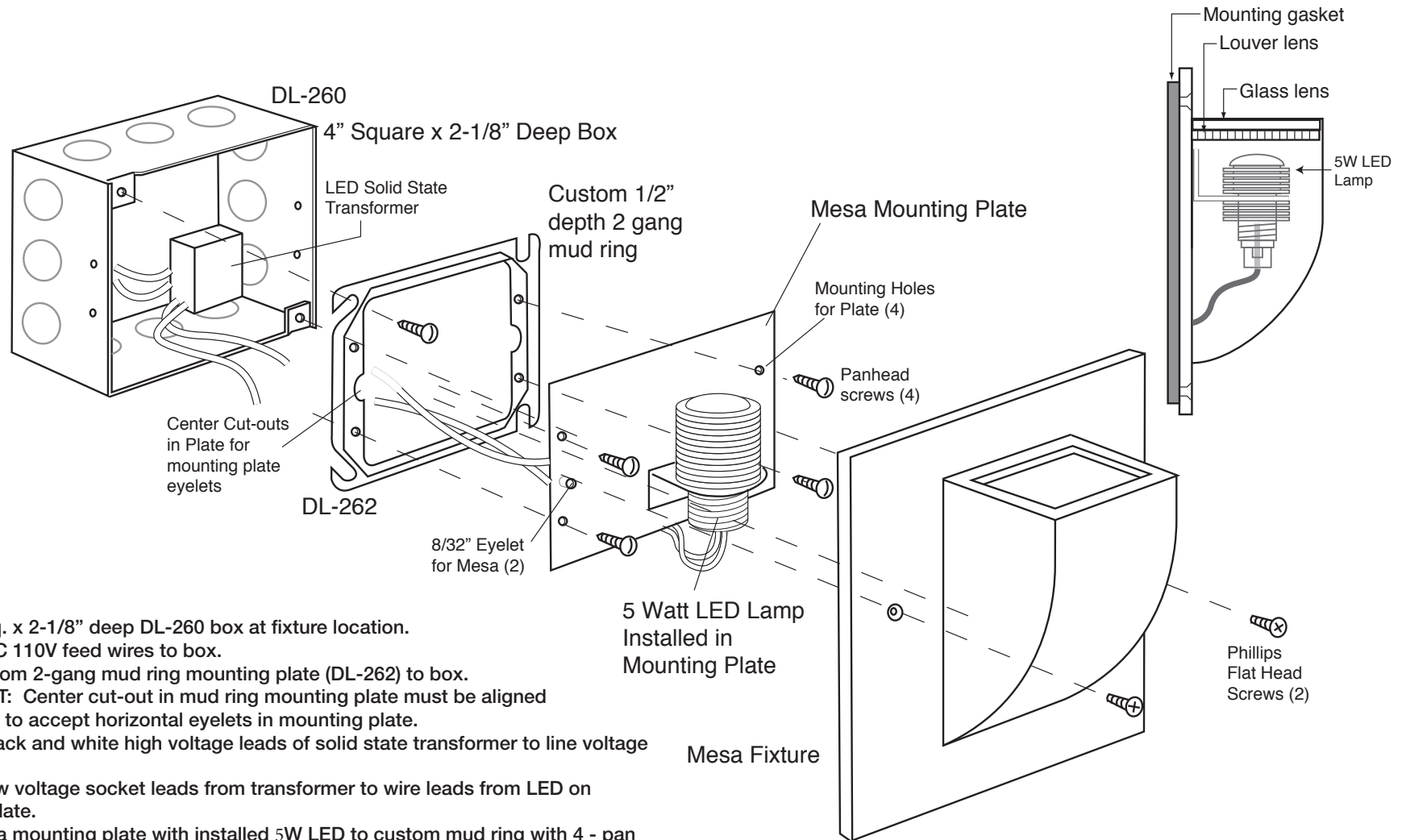


Installation Instructions

DLED-126-SSD Mesa Sconce with 5W LED lamp and DL-260 Box



1. Install 4" sq. x 2-1/8" deep DL-260 box at fixture location.
2. Supply 90°C 110V feed wires to box.
3. Attach custom 2-gang mud ring mounting plate (DL-262) to box.
IMPORTANT: Center cut-out in mud ring mounting plate must be aligned horizontally to accept horizontal eyelets in mounting plate.
4. Connect black and white high voltage leads of solid state transformer to line voltage feed wires.
5. Connect low voltage socket leads from transformer to wire leads from LED on mounting plate.
6. Screw Mesa mounting plate with installed 5W LED to custom mud ring with 4 - pan head screws.
7. Install black louver into casting below the glass lens.
8. Screw Mesa face plate to mounting plate with supplied 8/32" flathead brass screws.
9. Supply 120V power to transformer.