

# MOONSHADOW

The **Moonshadow** Outdoor Accent Lighting Fixture is a decorative solution to the architectural challenge of lighting stairs, driveways with concrete sidewalls, patio decks and pathways. It is designed to be installed low and close to the finish surface to be illuminated.

The solid brass sand-cast faceplate contains a linear lens that instantly transforms the light from the MR-16 LED outdoor into a tight horizontal beam pattern, approximately 15-degree vertical by 35-degree horizontal. An eyelid acts as a light shield for glare control, reducing the surface brightness but still allowing a majority of light from the MR-16 lamp to be emitted in the areas where most needed.

Moonshadow has been used to provide bright illumination for many walkway applications worldwide. It carries an ETL label for both wet location masonry and interior wood construction.



**Ancient Bronze  
DL-101-5**

New **LED Moonshadow** features 25,000 hour maintenance free, energy-saving illumination courtesy of this 7W MR-16 LED retrofit lamp. Superior thermal performance, Saves energy expense when compared to standard 50W halogen.



**Verdè  
DL-101-1**



**Satin Nickel  
DL-101-2**



**Copper Bronze  
DL-101-3**



**White\*  
DL-101-4**



**Ancient Bronze  
DL-101-5**



**Brass Bronze  
DL-101-6**



**Copper Plate  
DL-101-8**

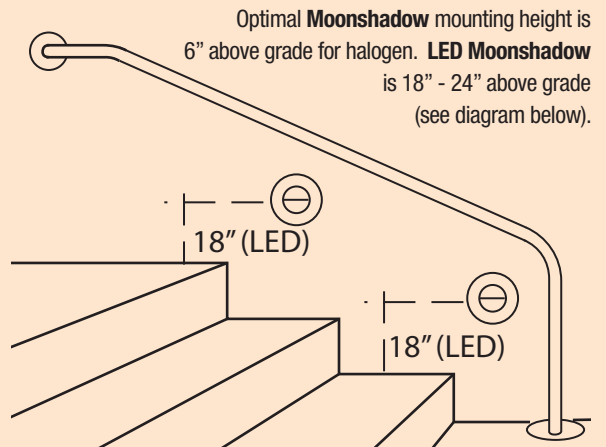


**Ancient Verdè  
DL-101-9**



**Oil Bronze\*  
DL-101-14**

\* powder coat finish



Zinc plated steel housing for concrete or wood construction.  
 Note: Specify 901-A or 901-B

Solid brass housing for harsh environments with built in 1/2" raised finish flange.

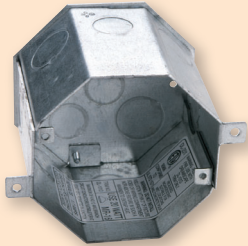
Brass remodel housing for core drill applications.

Transition inner cup with 1/2" raised finish flange for applications requiring an exposed edge for finished material.

Transition inner cup with no finish flange.

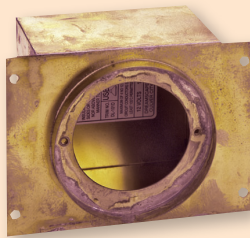
**DL-201**

4-1/8"W x 3-5/8"D



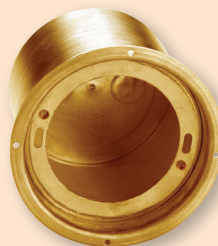
**DL-201B**

6-9/16"W x 5"D



**DL-208**

4-1/8"W x 3-5/8"D



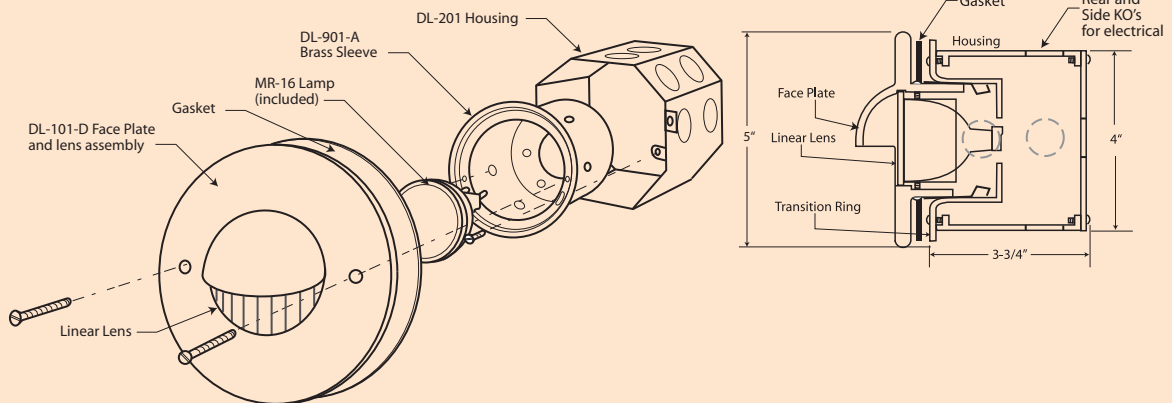
**DL-901-A**

4-1/4"W x 2-3/4"D



**DL-901-B**

4-1/4"W x 2-1/4"D



**DL-101 Series Specifications**

<b>FIXTURE:</b>	Solid brass sand-cast trim with solid brass lamp holder.
<b>DIAMETER:</b>	5"
<b>RECESS:</b>	3-5/8"
<b>LENS:</b>	.125 glass with linear prism
<b>LAMP:</b>	20W or 35W bi-pin MR16 FG (with lens) 7W LED MR16
<b>HOUSING:</b>	Zinc plated steel, aluminum or brass housing.
<b>ELECTRICAL:</b>	12V remote transformer. ETL listed for masonry wet location and interior drywall construction.

**Options**

<b>MOUNTING</b>	A - Slip fit wall mount
<b>STYLES:</b>	D - Screw mount with gasket NOTE: For maximum resistance to water, specify mounting style D.
<b>LAMPS:</b>	#501 - 20W #502 - 35W #509 - 7W LED Lamp wattage must not exceed 20W if it is mounted directly into combustible construction. 20W or 35W bi-pin MR16 with front glass.
<b>FINISHES:</b>	1. Verdè 2. Satin Nickel 3. Copper Bronze 4. White* 5. Ancient Bronze 6. Brass Bronze 7. Custom 8. Copper Plate 9. Ancient Verdè 10. Grey Bronze 11. Rust Brown* 12. Black* 13. Pewter 14. Oil Bronze* 15. Copper Edge Bronze* 16. Black Iron Textured Matt* 17. Copper Bronze*

\* powder coat finish

**To Form a**

<b>Catalog Number:</b>	<b>Part No.</b> DL-101	<b>Mounting Style</b> D	<b>Housing</b> 201	<b>Inner Cup</b> 901-A	<b>Lamp</b> 509	<b>Finish</b> 6
<b>Which Specifies:</b>	Fixture	Screw Fit	Zinc plate steel housing	1/2" flange inner cup	9.5W LED	Brass Bronze