

Solid Brass Interior or Exterior Accent Lighting Fixture Suitable for Dry, Damp and Wet Location. Lamping: 1 x 10W LED 200 Lumens.

PROJECT	TYPE	CATALOG NUMBER
---------	------	----------------

Fixture Description:

A cast brass wet location dimmable wall sconce utilizing an energy saving 35,000 hour, Xicato 95CRI LED COB for uplighting or downlighting. 200 lumens.

Construction:

A solid brass sand casting with a glass sealed aperture.

Electrical:

10 watt Xicato COB LED with dimmable constant current 10W 350mA driver. Specify input voltage, either 120V or 277V at 350mA. Provide reverse phase with neutral dimming technology to dim Xicato Constant Current LED module.

Dimming:

Dimmable down to 20%.

Mounting:

Solid brass 8/32" phillips screws mounts faceplate to DL-278 or DL-277 mounting box.

Finishes:

1. Verdè
2. Satin Nickel
3. Copper Bronze
4. White*
5. Ancient Bronze
6. Brass Bronze,
7. Custom
8. Copper Plate
9. Ancient Verdè
10. Grey Bronze
11. Rust Brown*
12. Black*,
13. Pewter
14. Oil-Rubbed Bronze
15. Copper-Edged Bronze*
16. Black Textured Iron*
17. Copper Bronze Powder Coat*

*powder coat finish

Labels:

ETL listed

Mounting Box:

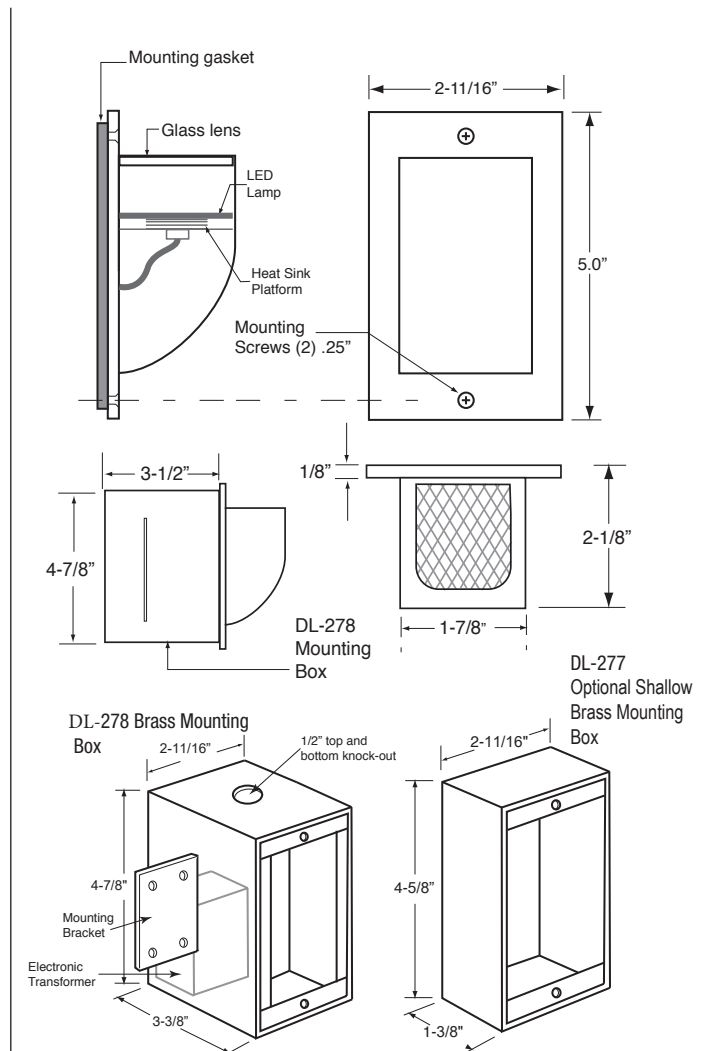
Cat. Number	Description
DL-278	Brass mounting box
DL-277	Optional shallow brass housing for remote driver.

Lamp:

Cat. Number	Description
307	LED - 2700K / 3000K / 90+CRI

Driver:

Wattage	Description
10 Watt	350mA - CC - 120V / 277V



To Form a Catalog Number:	Prefix:	Voltage	Wattage	Beam Spread	Color Temp.	Mounting Direction	Accessories	Finish
	DLED-127-SSD	120	10	FL Flood	3000	UP	L2 Standard Diffusion Lens	4
Which Specifies:	DLED-127-SSD Includes DL-278 mounting box and 10W driver	120V 277V	10W	WFL Wide Flood	3000K Standard 2700K* *minimum quantities	DOWN	L4 Black Louver	
Optional Housing Available DL-278 or DL-277								

Ordering Example: **DLED-127-SSD-120V-10W-DRY-3000K-UP-L2-4-DL-278**