

### Solid Brass Interior or Exterior Up or Down Accent Lighting Fixture Suitable for Dry, Damp and Wet Location. Lamping: 1 x 4W LED 170 Lumens

|         |      |                |
|---------|------|----------------|
| PROJECT | TYPE | CATALOG NUMBER |
|---------|------|----------------|

#### Fixture Description:

A cast brass wet or dry location wall sconce utilizing a 4 watt energy saving 35,000 hour LED lamp for uplighting, downlighting, wall washing or grazing illumination techniques.

#### Construction:

A solid brass sand casting with a glass sealed louvered aperture.

#### Electrical:

**DLED-127:** Remote 12V power supply required. **DLED-127-SSD:** 120V feed wire to LV. Integral electronic solid state power supply requiring a 120V-AC feed and supplying 12 Volt AC power to the led module. Power supply is dimmable using reverse phase technology with a neutral present.

#### Dimming:

Dimmable down to 20%.

#### Mounting:

Solid brass 8/32" phillips screws mount faceplate to custom housing.

**NOTE: Fixture may be mounted directly to surface without the DL-278 Back Box and powered by a remote transformer. Brackets on back box are optional and ordered separately.**

#### Finishes:

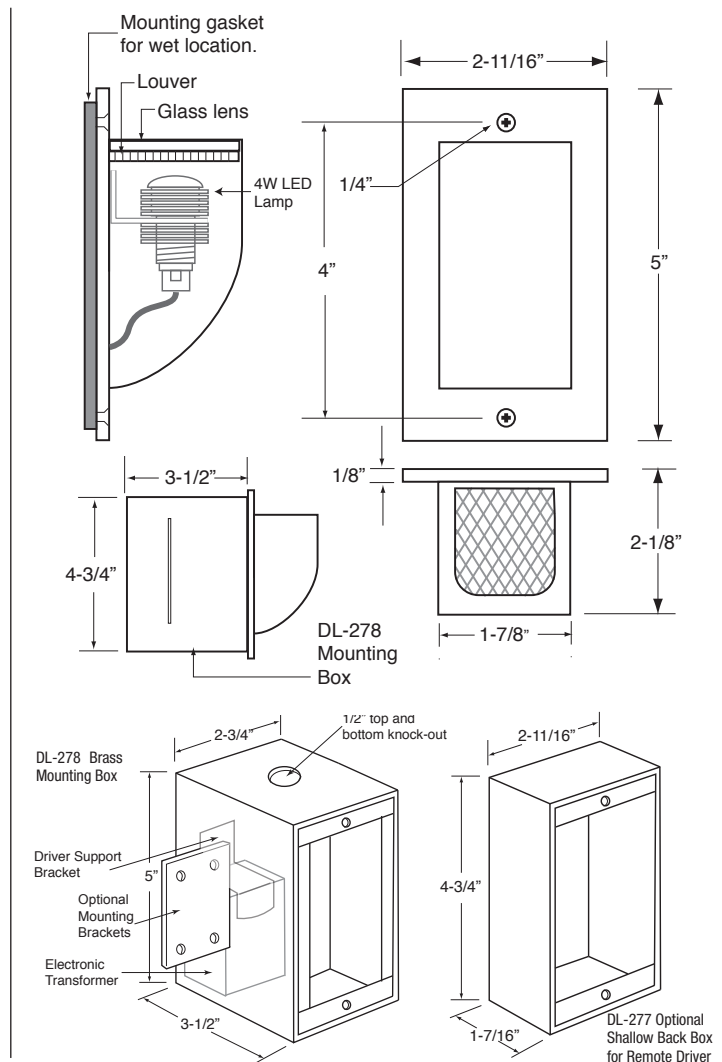
- Verde
- Satin Nickel
- Copper Bronze
- White
- Ancient Bronze
- Brass Bronze
- Custom
- Copper Plate
- Ancient Verde
- Grey Bronze
- Rust Brown\*
- Black\*
- Pewter
- Oil-Rubbed Bronze
- Copper Edged Bronze
- Black Iron Textured Matte\*
- Copper Bronze Powder Coat\*

\*Powder coat

| Cat. Number | Description   |
|-------------|---|
| DL-278      | Brass mounting back box (Optional Brackets, ordered separately) |
| DL-277      | Brass shallow back box (Optional Brackets, ordered separately)  |

#### Lamp:

| Cat. Number | Description   |
|-------------|---|
| 406         | 4W 2750K, LED, Spot or Flood (40°), 170 lumens<br>12V AC/DC, Optional beam patterns available |



| To Form a Catalog Number: | Prefix:   | Voltage | Location | Position | Lens          | Lamp                                   | Finish              |
|---------------------------|---|---------|----------|----------|---------------|--|---------------------|
|                           | DLED-127-SSD  | 120     | DRY      | UP       | B             | 406                                    | 4 (White)           |
| Which Specifies:          | DLED-127-SSD  | 120V    | DRY      | UP       | A - Linear    | 406-4W 2750K LED                       | 4 (White)           |
|                           |   | 277V    | DAMP     | DOWN     | B - Diffusion | FL-Flood                               | See finishes above. |
|                           | DLED-127  | 12V     | WET      |          |               | SP-Spot (other color temps. available) |                     |
|                           | Includes DL-278 Mounting Back Box with optional brackets. Back Box comes standard without brackets. |         |          |          |               |  |                     |
|                           | 4 Watt LED Requires remote transformer  |         |          |          |               |  |                     |
|                           | Optional DL-277 Shallow Mounting Back Box available.  |         |          |          |               |  |                     |

Ordering Example: **DLED-127-SSD-120-DRY-UP-B-406-FL-4** (housing and solid state driver required)  
**DLED-127-12V-DRY-UP-B-406-FL-4** (remote transformer required)