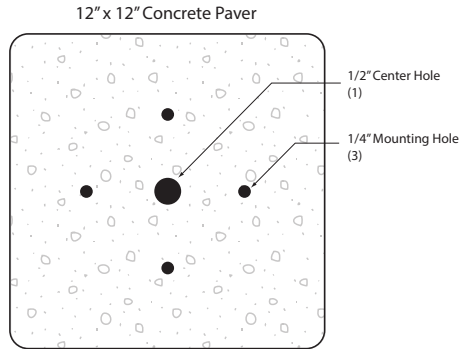


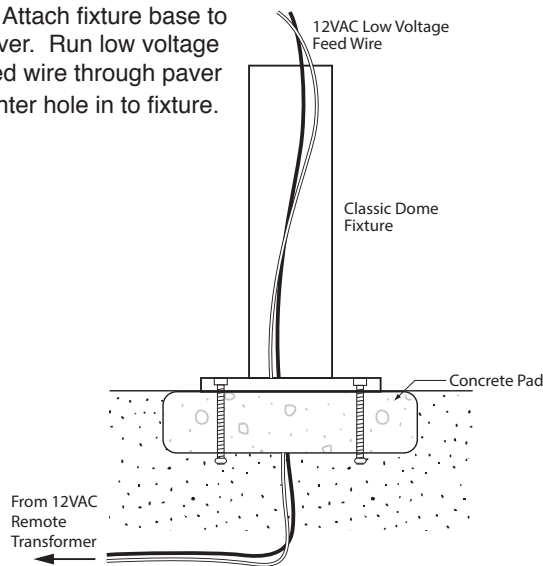
Classic Dome Installation Instructions - 10-20W COB

Turn off all power before beginning mounting process.

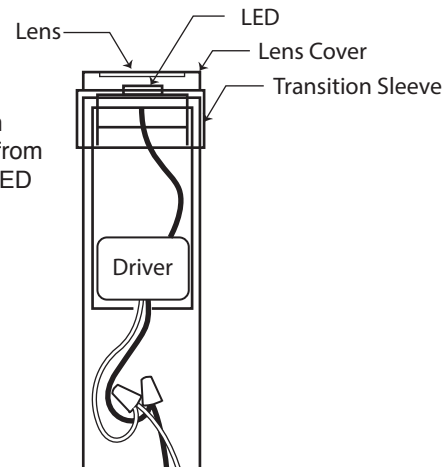
1. Drill 4 - 1/4" holes in 12" x 12" square concrete paver. Use base of Classic Dome fixture as a guide to where the holes should be. Drill 1 - 1/2" center wire-way hole in paver.



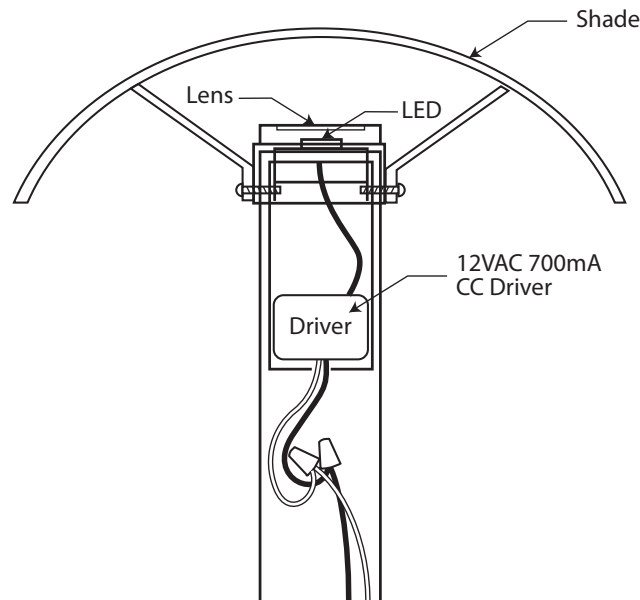
2. Attach fixture base to paver. Run low voltage feed wire through paver center hole in to fixture.



3. Attach wires from driver to feed wires from transformer. Drop LED module into holder in base.



4. Attach shade and lens holder to base with supplied 8/32" screws.



5. Supply 12VAC power to fixture.

