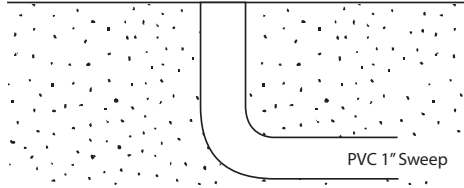


Aria Post Installation Instructions

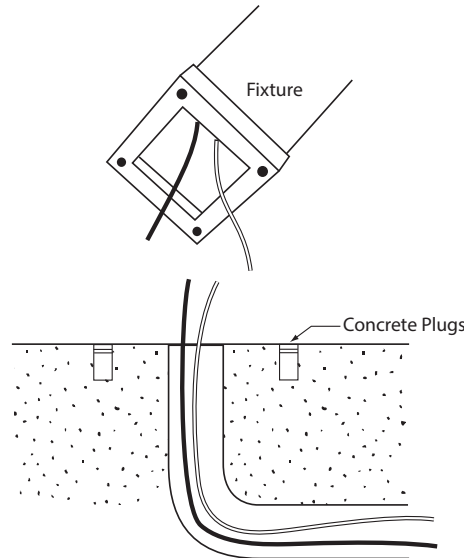
Turn off all power before beginning mounting process.

1. Create a smooth mounting area in the hardscape for Aria Post to attach to. Provide power in center of area with a 1" PVC sleeve.

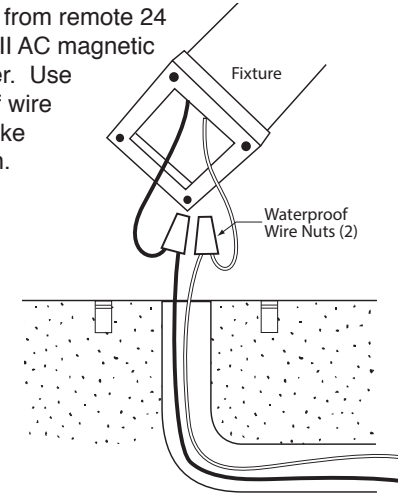
Box Method
Hardscape
Finish Surface



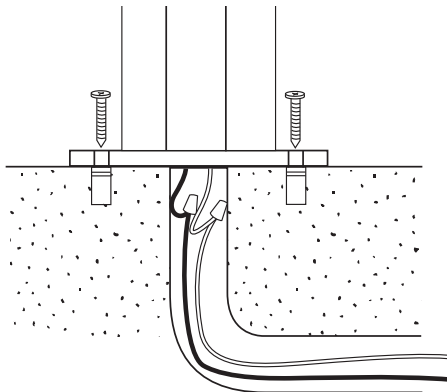
2. Use the mounting base detail template (on back of this sheet) to position the concrete plugs on the hardscape. Drill holes and install concrete plugs following manufacturer's guide lines.



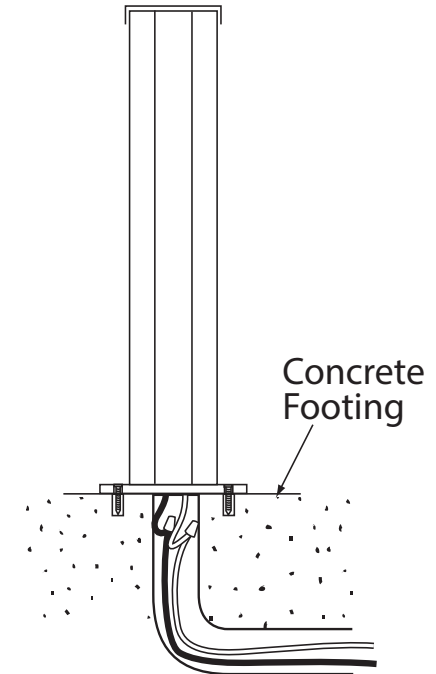
3. Splice fixture lead wires to feed wires from remote 24 volt Class II AC magnetic transformer. Use waterproof wire nuts to make connection.



4. Use 1/4-20 flat head screws to bolt fixture to concrete anchors. Provide 24 volt AC voltage to LED light source. Ground fixture.



Aria Post Install Detail



Aria Post Mounting Detail Template

