

Project:

3-Step Dry or Damp Recessed LED Step Light SPECIFICATION SHEET

Energy efficient, decorative step illumination

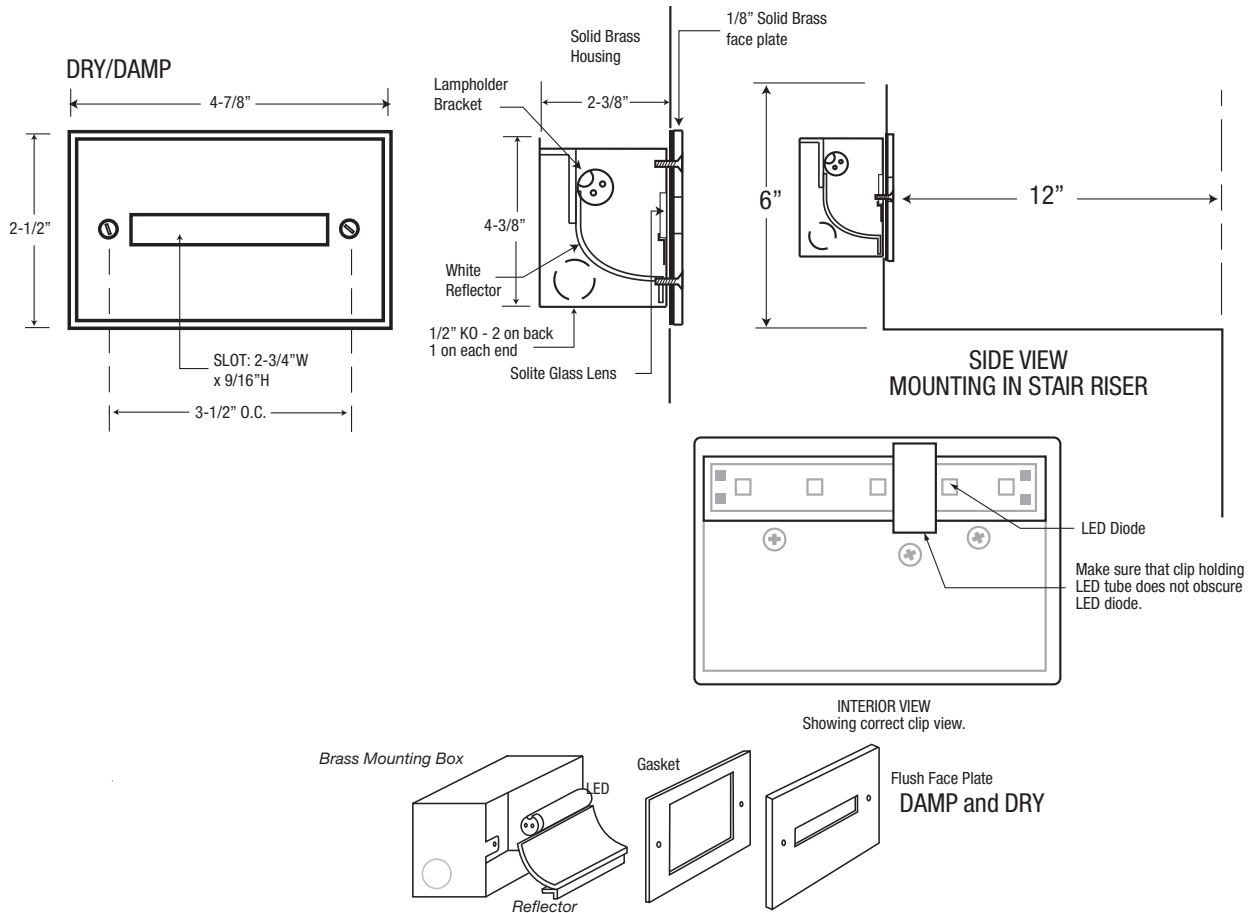
Lamping: .625W LED

Cat. No. *DLED-125-Damp/DLED-125-Dry Flush Face Plate*

2 Screws Face Plate

Date:

Type:



Fixture Description:

Solid brass construction with diffused glass.

Electrical:

Remote 24 volt AC power supply.

Mounting:

Recessed Mount. Mounts to DL-271 brass single gang wall box (supplied and shown in dimension drawing).

Lamp:

.625 watt LED - 2700K - inside acrylic tube enclosure.

Lenses:

Diffused glass mounted permanently to faceplate.

Finishes: *Available in all finishes*

Ordering Guide:

DLED-125-Damp/DLED-125-Dry

3-Step Recessed Step Light - .625 watt LED.

Includes DL-271 mounting box.

Finish Guide:

1. Verde
2. Pewter
3. Copper Bronze
4. White*
5. Ancient Bronze
6. Brass Bronze
7. Custom
8. Copper Plate
9. Ancient Verde
10. Grey Bronze
11. Rust Brown*
12. Black*
13. Pewter
14. Oil-Rubbed Bronze
15. Copper Edged Bronze*
16. Black Iron Textured Matte*
17. Copper Bronze*

*Powder coat