

PROJECT	TYPE	CATALOG NUMBER
---------	------	----------------

**Housing Description:**

Recessed shallow mount non-IC housing with integral power supply for all Dreamscape trims utilizing up to a 9.5W Sora LED lamp.

**Mechanical:**

Fixture housing is 18 ga. CRS and features two 1 ga. adjustable steel hanger bars which can be extended to 23.5". Access below ceiling. Ceiling trim flange is provided with .5" plaster lip with center line notches for precise trim alignment.

**Electrical:**

Housing is ETL listed for through branch circuit wiring. Housing features integral electronic transformer. Secondary lead is 12V. Primary lead is 120V or 277V. Access above ceiling is not required.

**Lamping:**

Utilizes 9.5W SORAA Vivid MR-16 LED lamp. With a CRI of 95, rich saturated color rendering, and excellent color stability. Light output the equivalent to 35W MR-16. Dimmable.

**Labels:**

ETL listed.

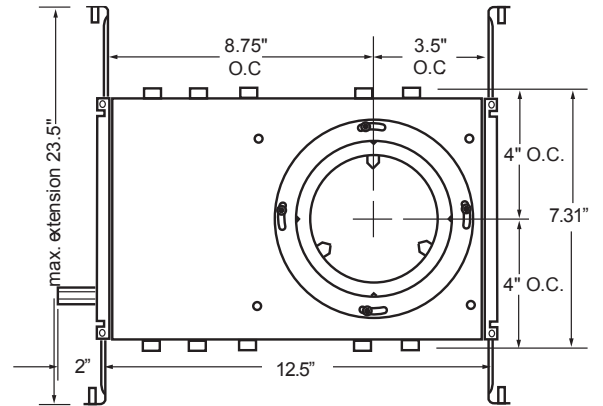


**DLED-7001-FT**

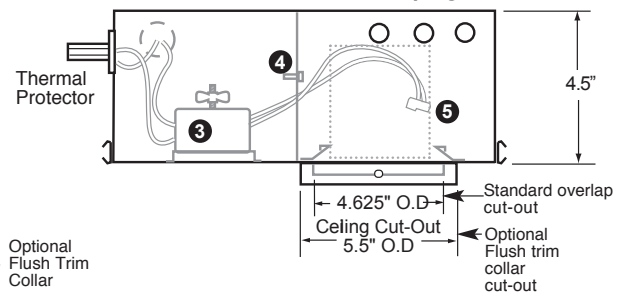
Non-IC Housing shown with optional Flush Trim Collar installed.

- Shallow housing fits into 2 x 6 ceiling joist.
- Removable top for above ceiling lamp replacement.
- ETL listed 15W max.
- Quiet electronic transformer.

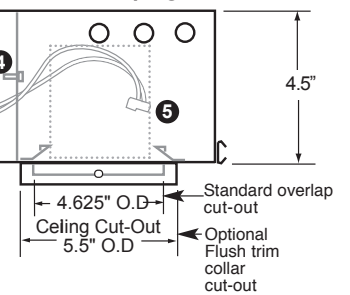
**Standard Bottom View**



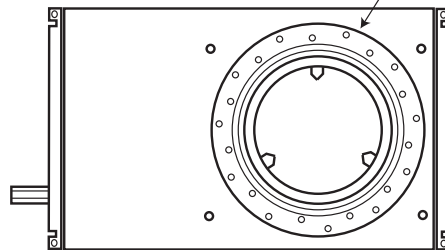
**Standard Side View**



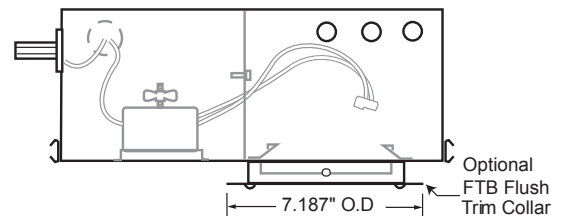
**Removable top for attic re-lamping**



**Flush Trim Bottom View**



**Flush Trim Side View**



Model Number	Optional Flush Trim Collar	Voltage
DLED-7001	FT	120V 277V

Ordering Example: **DLED-7001-FT-120V**