

### LED 50,000 Hour Dimmable Light Channel with Angled LED Light Source 95 Lumens per Foot (white color only) - 2.5 Watts per Foot - CRI 80

PROJECT	TYPE	CATALOG NUMBER
---------	------	----------------

**Fixture Description:** A continuous LED dimmable light strip mounted inside a square clear or frosted acrylic channel (maximum 12 foot run per feed) that offers a warm, soft, even glow at a huge savings over incandescent, halogen, or fluorescent. Runs cooler than incandescent or halogen, and contains no harmful gasses. 50,000 hour lamp life saves on maintenance and re-lamping costs.

**Construction:** 20 LED diodes per foot wired into rigid LED channel with jumper wire and feed wire pre-wired and attached. For lengths over 69", two strips are connected by a 1" flex wire joiner to create a single length of up to 138" max.

**Electrical:** 24 Volt AC. 2.5 Watts per foot. 95 lumens per foot. Dimmable.

**Mounting:** Mounts into coves or other surfaces with clips. Plastic clip supplied standard. Stainless steel clip available. Specify SSC to order.

**Applications:**

- Coves • Light Pockets • Accent Lighting
- Cabinet Lighting • Undercabinet Lighting
- Reveal Molding

Note: Actual length of LED will be less than tube length.

**IMPORTANT:** LED strips are to be fed from UL Listed Class II magnetic transformers or Lutron Constant Voltage Drivers.

**NOTE:** Dimmers used must be approved for magnetic loads and use direct current or voltage regulation, such as Lutron Diva Series. Dimmers that use phase forward dimming technology must have a neutral. Check with factory for compatibility.

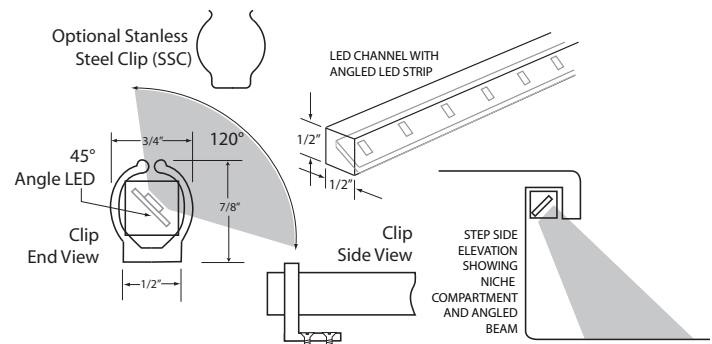
**Important Design Requirements for Applications with Ambient Temperatures Exceeding 100°F:**

Mounting clips should be used to support LED tubes. A 1/4" free space should be provided at each end of the tube and between tubes that butt together. A 1/16" space is needed on each side of the tube. The spaces noted are to allow the tube to expand as the temperature increases.

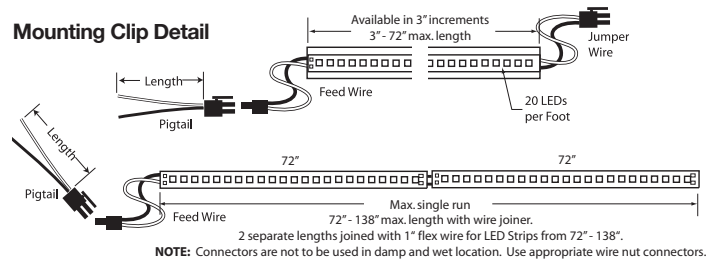
If Silicone is used to support tube, only apply Silicone to top center area, approximately 1/3 of tube. Leave ends of tube free to move a minimum of 1/4" forward and back.

Please consult our website for any updated specifications on this product:

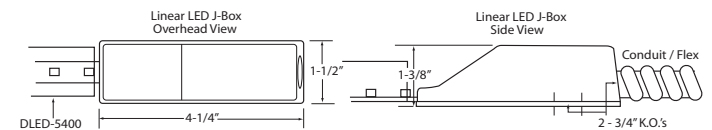
[www.dreamscapelighting.com](http://www.dreamscapelighting.com)



**Mounting Clip Detail**



**DL-CFB-5000 Conduit Feed Box**



How to make an optimum M.O.L.\* calculation:

**Finish area measurement (make sure it is divisible by 3)**  

$$+ \frac{1}{2}'' \text{ PER } 6' \text{ LENGTH}$$

$$= \text{OPTIMAL M.O.L.}$$

\*M.O.L. is the Maximum Overall Length for the LED linear fixture that you are ordering.

**Secondary Wire Spec**

Maximum Load	50W
Maximum Distance	50 feet
Wire	16AWG 2/C Type CM-CL2
	ETL-CM CL3
	Standard copper conductor

LED Specifications	
Voltage	24V AC
Watts	2.5W per foot
Color Temperature	2700K, 3000K, 6500K, Blue, Red, Green, Yellow
CRI	80
Lumens Per Foot	95
Beam Spread	120°
Maximum Run	12'
Maximum Single Length	6'
Mounting	Clips
Warranty	5 years / 50,000 hours (in an environment that reaches no higher than 60°C / 140°F) NOTE: Please contact factory regarding warranty if fixture is exposed to higher ambient temperatures.

Model Number	Finish Dimension (Max. Overall Length)	Acrylic Material	Wire Format	Feed Wire Length (F)	Jumper Wire Length (J)	Pigtail Length (P)**	Color Temp.
DLED-5400	_____ "M.O.L.	CL (Clear) FR (Frosted)	EW End Wire (Std.)	1.5", 3", 6", 12", 18", 30", CUSTOM	None* (0), 1.5", 3", 6", 12", 18", 30" CUSTOM	0", 3", 12" 36", CUSTOM	2400K 2700K 3000K 6500K Blue Red Green Yellow

Ordering Example: **DLED-5400-45-1/2" M.O.L.-CL-SW-F6"-J3"-P3"-2700**

**NOTE:** All LED lengths 75" - 138" are made up of 2 separate units joined together by a 1" flex wire. FOR CURVILINEAR APPLICATIONS - SPECIFY .75" \*JUMPER LENGTH You can specify "0" for no jumper wire on end. \*\*PIGTAIL LENGTH: 1 pigtail per run (specify 3", 12", 36" or Custom).

