

LED 50,000 Hour Dimmable Light Strips for Dry Location 140 Lumens per Foot (white color only) - 2.5 Watts per Foot - CRI 80

PROJECT	TYPE	CATALOG NUMBER
---------	------	----------------

Fixture Description: The DLED 5000 is a continuous line of dimmable LED's soldered to a rigid PC board. They have been designed to give a long consistent color over the 50,000 hr. lamp life, because of good thermal management of the SMD's and quality phosphors used in production. This LED light source provides a soft even glow at a huge energy savings over incandescent or halogen. A 50,000 hr. lamp life greatly reduces maintenance.

Construction: 20 LED diodes per foot soldered to a rigid PC board with jumper wire and feed wire pre-wired and attached. For lengths from 75" to 144", two strips are connected by a 1" flex wire joiner.

Electrical: 24 Volt AC. 2.5 Watts per foot. 140 lumens per foot. Dimmable. Important: LED strips are to be fed from Class II UL Listed magnetic transformers or Lutron 24V Constant Voltage Drivers

Mounting: Mounts into coves or other surfaces with clips and/or double stick tape. Low heat output enables double stick tape to serve as a long lasting mounting solution.

Applications:

- Coves • Light Pockets • Accent Lighting
- Cabinet Lighting • Reveal Molding

Warranty: 5 years or 50,000 hours. See ambient temperature note in table below.

NOTE: Dimmers used must be approved for magnetic loads and use direct current or voltage regulation, such as Lutron Diva Series or Lutron 24V Constant Voltage Drivers. Dimmers that use phase forward dimming technology must have a neutral. Check with factory for compatibility.

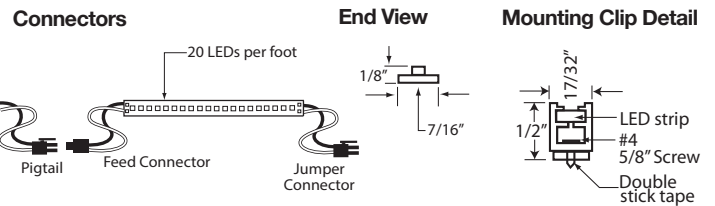
Please consult our website for any updated specifications on this product:
www.dreamscapelighting.com

LED Specifications

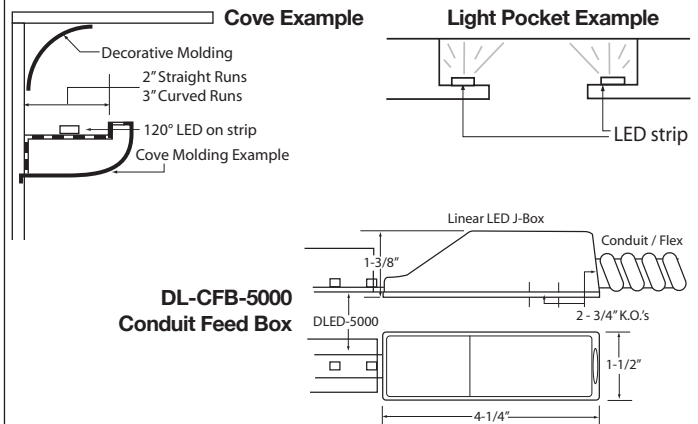
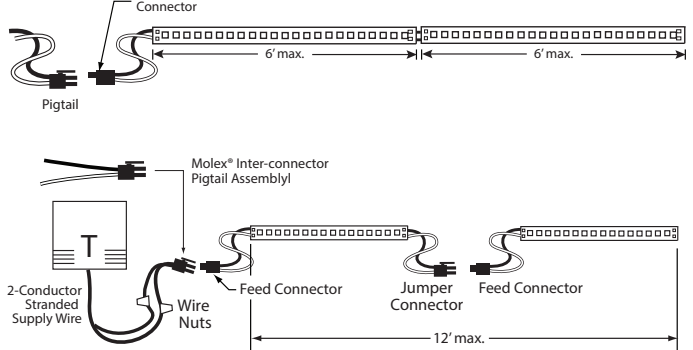
Voltage	24V AC
Watts	2.5W per foot
Lumens per Foot	140
Color Temperature	2400K, 2700K, 3000K, 6500K
CRI	80
Beam Spread	120°
Maximum Run	12'
Maximum Single Length	6'
Mounting	Clip or double stick tape
Warranty	5 years / 50,000 hours (in an environment that reaches no higher than 60°C / 140°F) NOTE: Please contact factory regarding warranty if fixture is exposed to higher ambient temperatures.

Secondary Wire Spec

Maximum Load	50W
Maximum Distance	50 feet
Wire	16AWG 2/C Type CM-CL2
	ETL-CM CL3
	Standard copper conductor



2 Separate Lengths Joined with 1" Flex Wire for LED Strips from 75" - 144"



Model Number	LED Length	Feed Wire Length (F)	Jumper Wire Length (J)	Pigtail Length (P)	Color Temp.
DLED-5000	3", 6", 9", 12", 15", 18", 21", 24"	1.5", 3", 6", 12"	None* (0), .75"	0, 3", 12", 36"	2400K
	27", 30", 33", 36", 39", 42", 45", 48"	18", 30", CUSTOM	1.5", 3", 6", 12"	CUSTOM	2700K
	51", 54", 57", 60", 63", 66", 69", 72"		18", 30", CUSTOM		3000K
	75", 78", 81", 84", 87", 90", 93", 96"				6500K
	99", 102", 105", 108", 111", 114", 117"				Blue
	120", 123", 126", 129", 132", 135"				Red
					Green
					Yellow

See NOTE above for LED lengths above 72"

Ordering Example: **DLED-5000-12"-F3"-J3"-P3"-2700**

NOTE: All LED lengths 75" - 144" are made up of 2 separate units joined together by a 1" flex wire. FOR CURVILINEAR APPLICATIONS - SPECIFY .75" *JUMPER LENGTH You can specify "0" for no jumper wire on end. **PIGTAIL LENGTH: 1 pigtail per run (specify 3", 12", 36" or Custom).