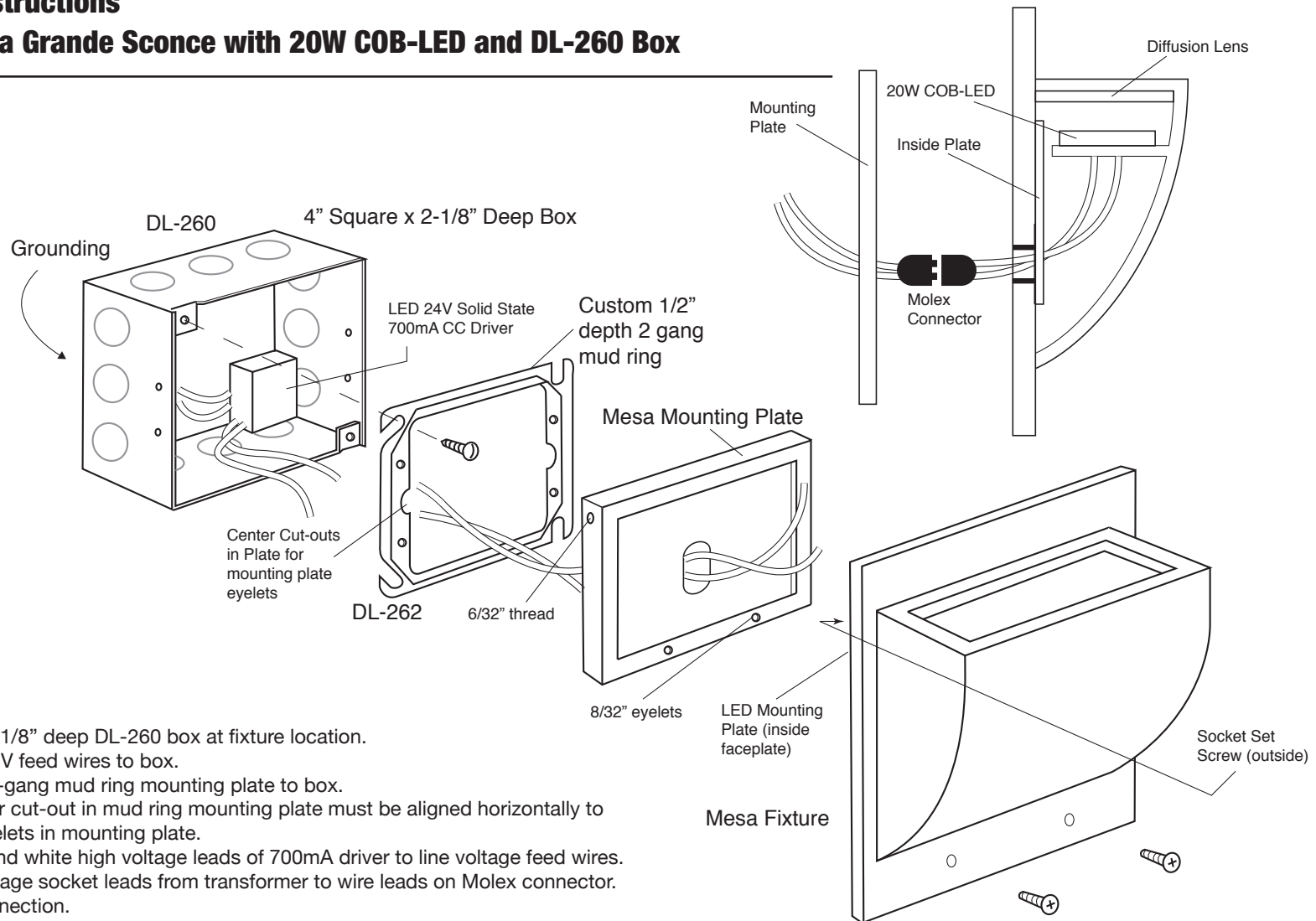


Installation Instructions

DLED-128 Mesa Grande Sconce with 20W COB-LED and DL-260 Box



1. Install 4" sq. x 2-1/8" deep DL-260 box at fixture location.
2. Supply 90°C 110V feed wires to box.
3. Attach custom 2-gang mud ring mounting plate to box.
IMPORTANT: Center cut-out in mud ring mounting plate must be aligned horizontally to accept horizontal eyelets in mounting plate.
4. Connect black and white high voltage leads of 700mA driver to line voltage feed wires.
5. Connect low voltage socket leads from transformer to wire leads on Molex connector. Maintain polarity connection.
6. Screw Mesa mounting plate to custom mud ring with 4 - panhead screws.
7. Screw Mesa face plate to mounting plate with supplied 8/32" flathead brass screws and 6/32" socket set screws.
9. Supply 700mA driver with 110V power.

Dimmable with Reverse Phase with Neutral.

dreamscape
LIGHTING MFG., INC.

©2017 Dreamscape Lighting Mfg., Inc.
5521 W. Washington Blvd. • Los Angeles, CA 90016 • Phone: 323-933-5760 • FAX: 323-933-3607
info@dreamscapelighting.com • www.dreamscapelighting.com • Specifications subject to change without notice



DLED-128-20W_Inst_110517