


<b>Project:</b>	
<b>DREAMSCAPE LED LIGHTING SPECIFICATION SHEET</b>	
9.5W 1-Light LED Downlight Pinhole Recessed Trim Lamping: 1 x 9.5W max.	<b>Date:</b>
 DLED-7300D-_____ - _____ - _____ - _____ DLED-7300D-_____ - FT - _____ - _____ - _____	<b>Type:</b>

**Trim Description:**

Recessed 1-light, 9.5W Sora LED, pinhole trim. Allows for 15° vertical adjustment with 365° horizontal rotation. Trim blends smoothly into ceiling plane with Dreamscape Lighting patented Flush Trim mounting collar. For use with Dreamscape Lighting's DLED-7001 Non-IC and DLED-7005-IC and IC-AT housings. All round trims can be flush mounted utilizing Dreamscape's patented flush mount system. Specify suffix FT.

**Mechanical:**

Fixture housing is 18 ga. CRS nad features two 1 ga. adjustable steel hanger bars which can be extended to 23.5". Access below ceiling. Ceiling trim flange is provided with .5" plaster lip with centerline notches for precise trim alignment.

**Electrical:**

Housing is ETL listed for through branch circuit wiring. Housing features integral electronic transformer. Secondary lead is 12V. Primary lead is 120V. Access above ceiling is not required.

**Finish:**

Standard trim finish is powder coated semi-gloss white. Matte black is standard for trim inner core. See below for other finishes. Custom finishes available, please consult factory.

**Labels:**

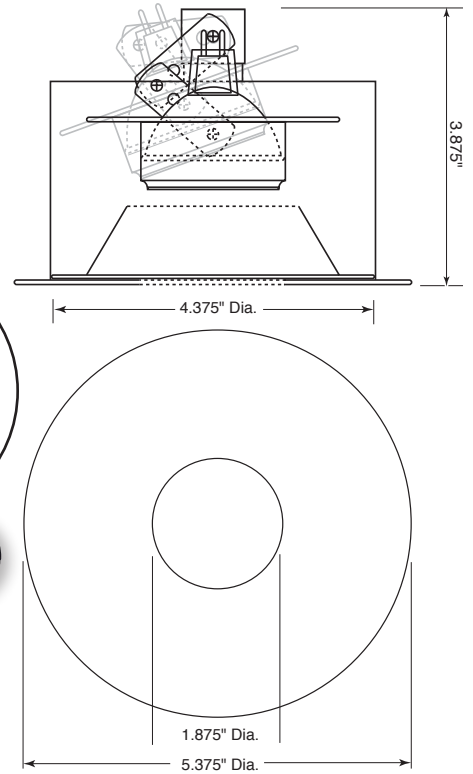
ETL - Suitable for damp location

**Dimming:**

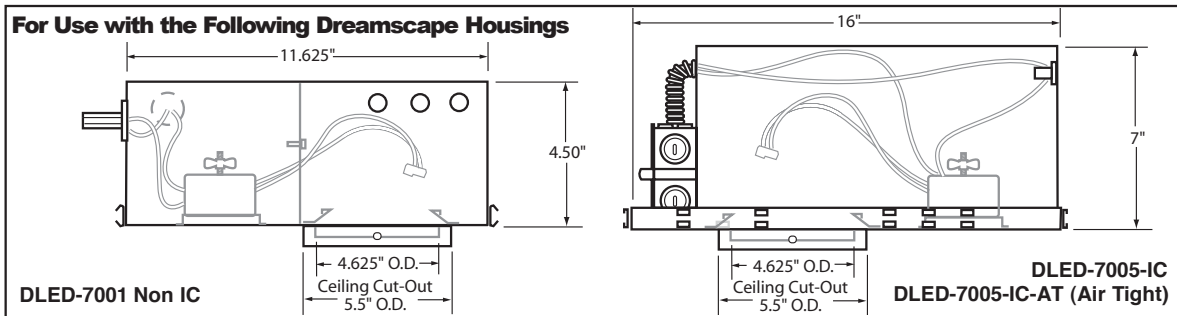
Available using ELV or Reverse Phase with neutral.

**Ordering Example:**

**DLED-7300D-FT-3000K-NFL-9.5**



Catalog No.	Trim Mounting	Color Temp.	Beam Spread	Wattage	Finish	Adjustability	Construction	Lamp
DLED-7300D	FT Flush Trim	2700K 3000K	NFL Narrow Flood 25°	9.5W	White	15° Vertical 365° Horizontal	Powder Coated Steel	SORAA LED
DLED-7300D-2					Pewter		Solid Brass	
DLED-7300D-5			Ancient Bronze		Solid Brass			
DLED-7300D-6			Brass Bronze		Solid Brass			
DLED-7300D-8			Copper Plate		Solid Brass			
			S Spot 14°					



Beam Accessories: DL-7224: 2" Louver    Custom Finishes: Consult Factory



©2013 Dreamscape Lighting Mfg., Inc.  
 5521 W. Washington Blvd. • Los Angeles, CA 90016  
 Phone: 323-933-5760 • FAX: 323-933-3607  
 info@dreamscapelighting.com • www.dreamscapelighting.com  
 Specifications subject to change without notice



7300D011513