

### Accent Lighting for Wet Location Lamping: 1 x 2.1W 3000K LED Panel

PROJECT	TYPE	CATALOG NUMBER
---------	------	----------------

#### Fixture Description:

A brass wet location surface mounted down accent light designed primarily for post, deck and step lighting where a rustic wedge shape is desired utilizing an energy saving 2.1 watt LED panel with 120 lumen output.

#### Construction:

Solid brass mounting plate and cover.

#### Electrical:

Remote 12V AC power supply from magnetic transformer or driver.

**WARNING: Solid state transformers may not be compatible with our LED products. Recommended power supplies: Use approved magnetic transformers or approved LED electronic drivers.**

#### Mounting:

Fixtures may mount directly to surface or mount to DL-240 brass back box for large Wedge, or DL-241 brass back box for small Wedge.

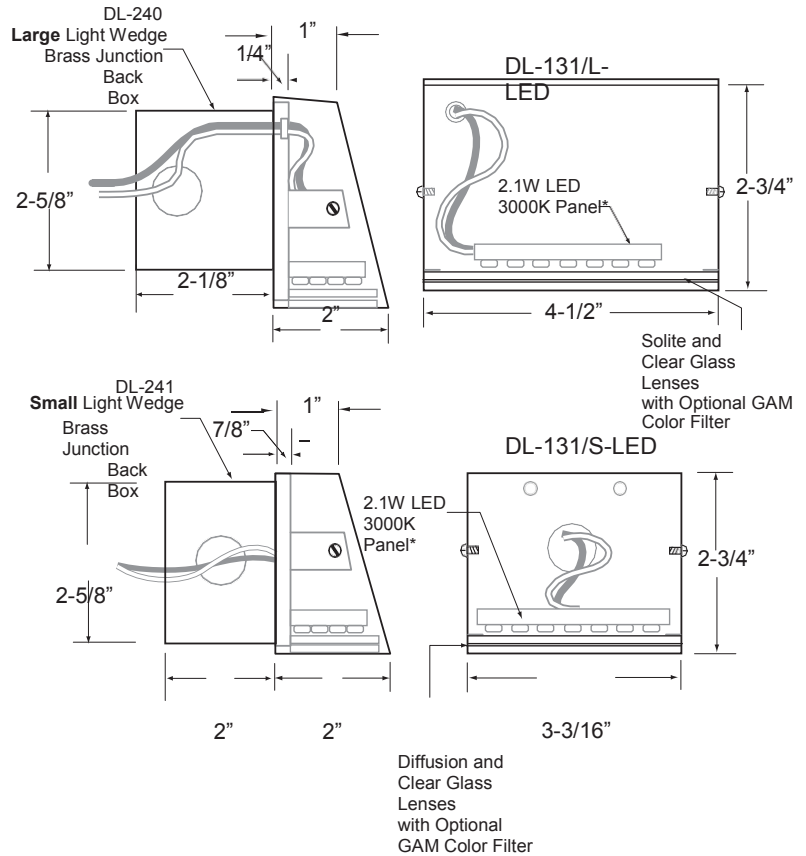
#### Finishes:

1. Verde, 2. Satin Nickel, 3. Copper Bronze, 4. White\*, 5. Ancient Bronze, 6. Brass Bronze, 7. Custom, 8. Copper Plate, 9. Ancient Verde, 10. Grey Bronze, 11. Rust Brown\*, 12. Black\*, 13. Pewter, 14. Oil Rubbed Bronze, 15. Marine Bronze, 16. Black Iron textured matt\*, 17. Copper Bronze\*, 18. Marine Bronze\*  
(\*Powder Coat)

LED Wattage	Lumens	Color Temp.
2.1W	120	3000K

#### Lenses:

Diffusion and clear glass lens.  
Optional warm color filter available.



To Form a Catalog Number:	Part No.	Optional Back Box	Lens	Optional Filter	Finish
	DLED-131L	DL-240	Clear	CF-2500	5
Which Specifies:	Light Wedge Large	DL-240 Large	Clear	Optional	5. Ancient Bronze
	DLED-131S	DL-241 Small	Diffusion	Warm Filter	See other finishes above.
	Light Wedge Small				

Ordering Example: **DLED-131L-DL-240-CF-2500-5**