

Solid Brass Dry, Damp or Wet Accent Lighting Fixture Lamping: 1 x 10W or 20W LED

PROJECT	TYPE	CATALOG NUMBER
---------	------	----------------

Fixture Description:

A cast brass dimmable LED wall sconce with a 95 CRI Xicato COB module. Fixture is suitable for wet or dry location and may be used for uplighting or downlighting.

Construction:

A solid brass sand casting with a glass sealed aperture.

Electrical:

Integral in mounting box, a dimmable constant current driver. Specify input voltage, either 120V or 277V. Specify wattage, either 10W or 20W. Provide reverse phase with neutral dimming technology to dim Xicato LED module. Dimmable down to 20%.

Mounting:

Solid brass 8/32" phillips screws and 2 hex head machine screws mount faceplate to custom transition plate attached to mud ring or to DL-260B 2-gang brass box. Wet location requires 2 additional support screws in face plate (see diagram at right).

Finishes:

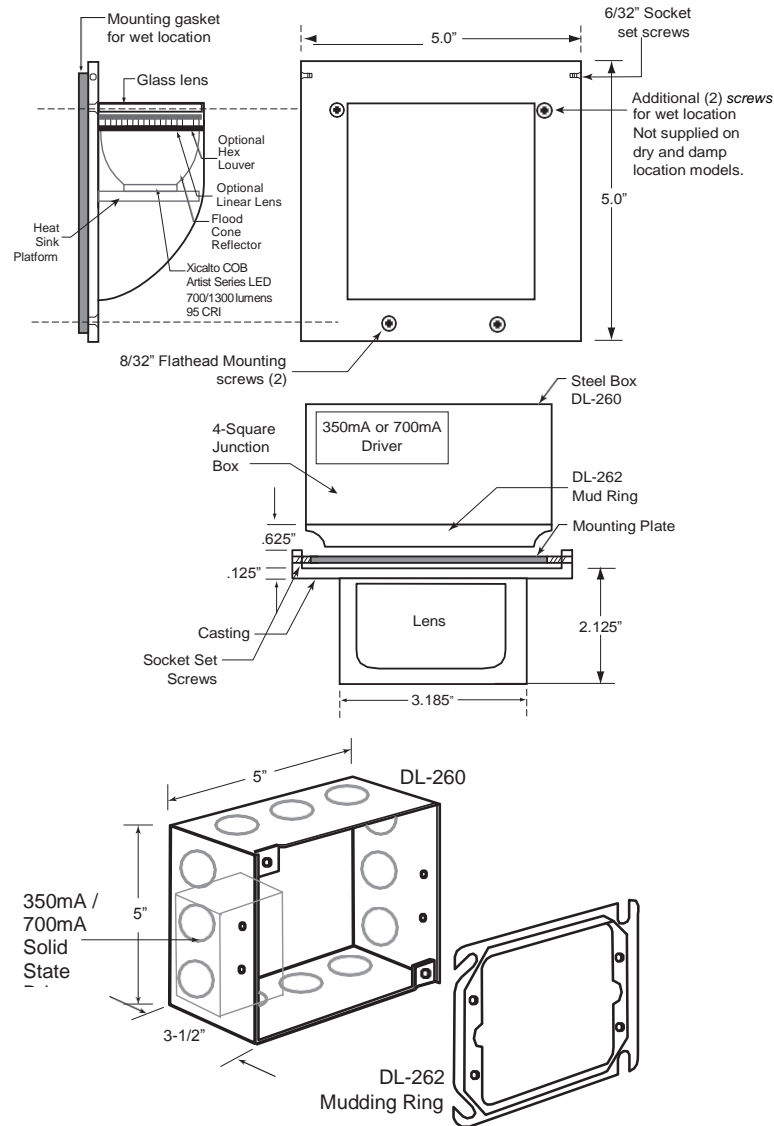
- Verdè
- Satin Nickel
- Copper Bronze
- White*
- Ancient Bronze
- Bass Bronze
- Custom
- Copper Plate
- Ancient Verdè
- Grey Bronze
- Rust Brown*
- Black*
- Pewter
- Oil-Rubbed Bronze*
- Copper-Edged Bronze*
- Black Iron Textured Matte*
- Copper Bronze*
- Marine Bronze* (*powder coat finish)

Optional Mounting Boxes:

Cat. Number	Description
DL-260	4" square deep steel box
DL-260-B	Square deep brass box
DL-262	2 gang 1/2" raised mounting ring for use with

LED Wattage:

Wattage	Description	Lumens
20 Watt	700mA - CC - 120V / 277V	1300
10 Watt	350mA - CC - 120V / 277V	700



To Form a Catalog Number:	Prefix: DLED-128-SSD	Voltage 120	Wattage 10	Beam Spread 30°	Location DRY	Color Temp. 3000	Direction UP	Black Hex Louver L4	Finish
Which Specifies:	DLED-128-SSD includes solid-state driver (350mA or 700mA)	120V	10W	100° WFL	DRY	3000K Standard	UP	L4	4 (White)
		277V	20W	40° FL	DAMP	2700K	DOWN		See finishes above.
	Mounting box ordered separately				WET	3500K*			

*minimum quantities

Ordering Example: **DLED-128-SSD-120-10W-100°-DRY-3000-UP-L4-4**

Note: Housing is required and must be ordered separately.