



2014 Architectural / Accent
Landscape Lighting Collection

dreamscape
LIGHTING MFG., INC.






Table of Contents

Moonshadow	4
Mesa	6
Aria Post	10
Illume	12
Rockport Dome / Classic Dome	13
LED Lunar	14
Deck, Stairs, Accent & Path	15
Tree Pendant	16
MicroWell Light	18
Eclipse / LED Light Ripples	19
Specifying Mesa	20
Specifying Moonshadow	21
Specifying Illume	22
Specifying Nalu	23
Finish Matrix	Back Cover

Dreamscape Lighting is an architectural lighting manufacturer whose concept engineering has developed a product line that incorporates unique organic styling with cutting edge technology that can creatively enhance and illuminate any environment.

The **Moonshadow** LED Outdoor Accent Lighting Fixture is a decorative solution to the architectural challenge of lighting stairs, driveways with concrete sidewalls, patio decks and pathways. It is designed to be installed low and close to the finish surface to be illuminated.

The solid brass sand-cast faceplate contains a linear lens that instantly transforms the light from the LED MR-16 lamp into a tight horizontal beam pattern, approximately 15-degree vertical by 35-degree horizontal. An eyelid acts as a light shield for glare control, reducing the surface brightness but still allowing a majority of illumination from the LED MR-16 lamp to be emitted in the areas where most needed.

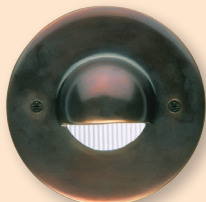
Moonshadow has been used to provide bright illumination for many walkway applications worldwide. It carries an ETL label for both wet location masonry and interior wood construction.



**Ancient Bronze
DLED-101-5**



**Satin Nickel
DLED-101-2**



**Copper Bronze
DLED-101-3**



**White*
DLED-101-4**



**Ancient Bronze
DLED-101-5**



**Brass Bronze
DLED-101-6**



**Copper Plate
DLED-101-8**



**Ancient Verdè
DLED-101-9**

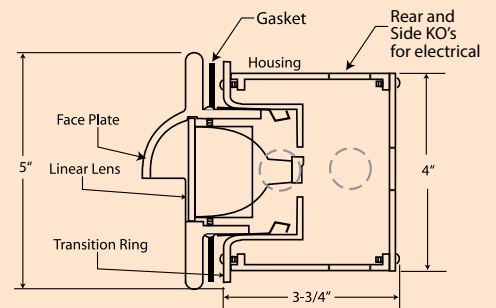
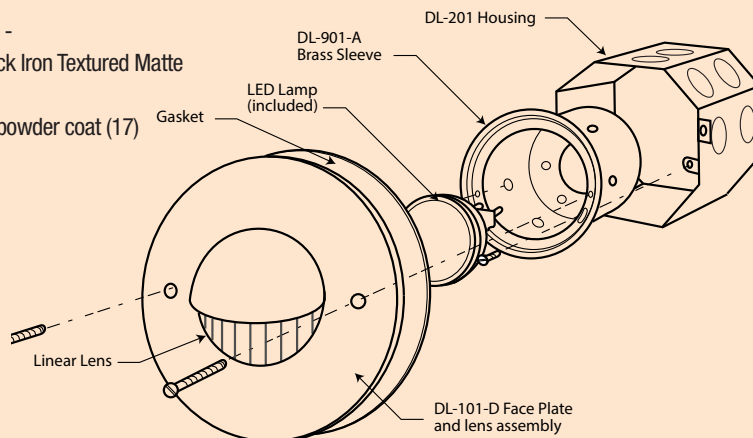


**Pewter
DLED-101-13**



**Oil Rubbed Bronze*
DLED-101-14**

* powder coat finish - also available in Black Iron Textured Matte powder coat (16) and Copper Bronze powder coat (17)





**Decorative and functional
step lights.**

See specifications on page 20.



The **Mesa**, **Mesa Grande**, **Slim Mesa**, and **Slim Nancy** versatile cast brass wall sconces perform many functions, including uplighting columns, grazing architectural surfaces, and illuminating driveways and walkways. Dreamscape's variety of unique metal etched and plated finishes provide an extensive array of design choices.

The primary light source for the Mesa, the Slim Mesa and the Slim Nancy is a 170 lumen LED module. The original Mesa is also available with a halogen MR-11. While routinely fed by a remote power supply, both types can work with an integral power source in the back box, a big advantage when a remote is problematic. The Mesa Grande uses a 590 lumen, 90+ CRI LED source. Its elegant look of substance has brought a new dimension to this series. The Slim Mesa deals effectively with constricted mounting spaces while its newly arrived little sister, Slim Nancy provides solutions for even tighter dimensions such as 2X2 posts or when a truly low profile is desired.

The Mesa Series fixtures are approved for wet location.



Copper Edged Bronze
DLED-126-15



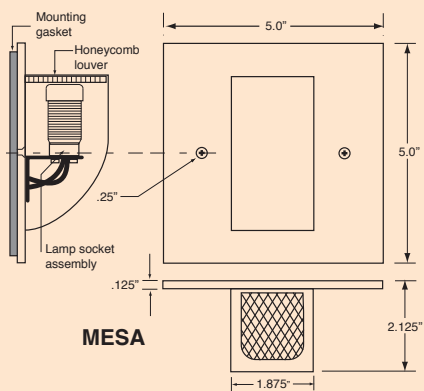
Mesa Grandè White
DLED-128-4



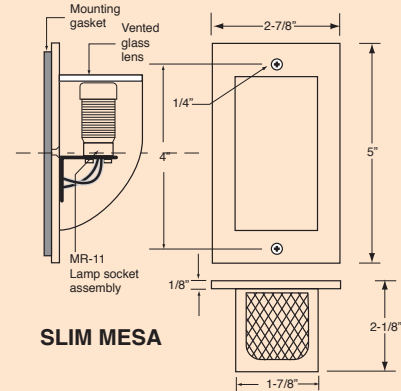
Slim Mesa Satin Nickel
DLED-127-2



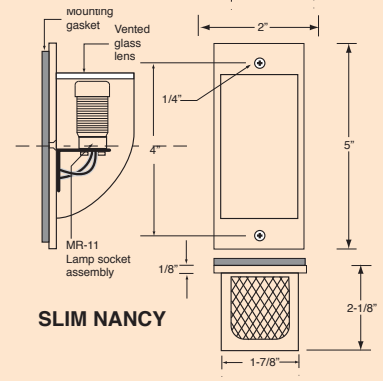
Slim Nancy White
DLED-129-4



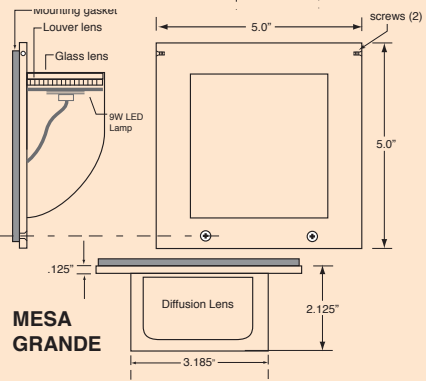
MESA



SLIM MESA



SLIM NANCY



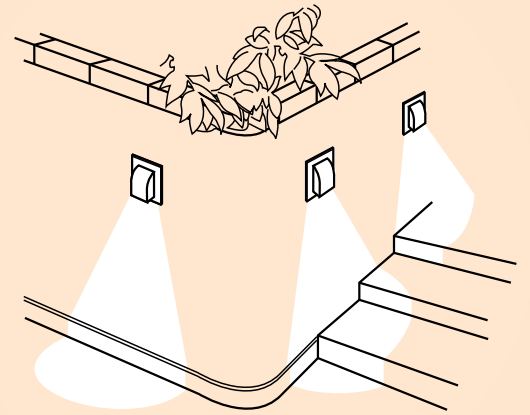
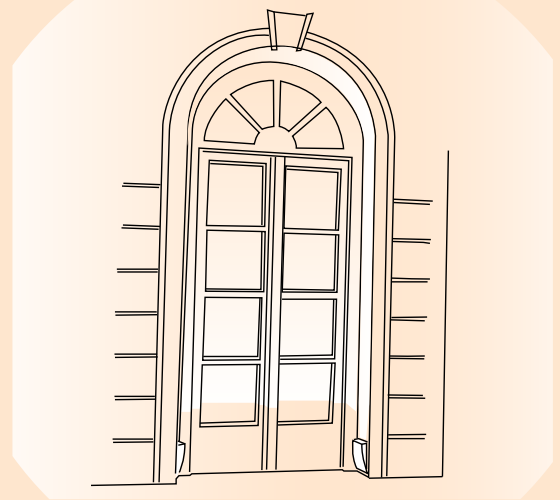
MESA GRANDE

* powder coat finish - also available in Black Iron Textured Matte powder coat (16) and Copper Bronze powder coat (17).

See specifications on page 21.



MESA / SLIM MESA APPLICATIONS



Mesa is a perfect lighting solution for archway illumination, step and pathway, curb, and other interior and exterior landscape applications.







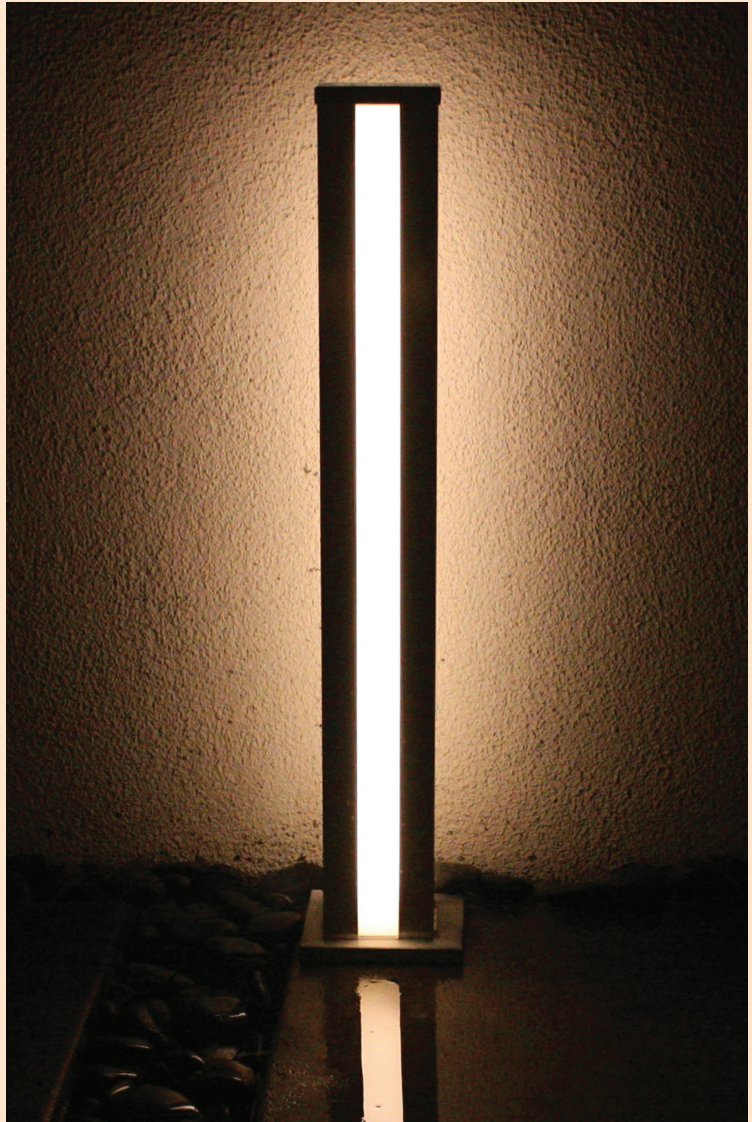
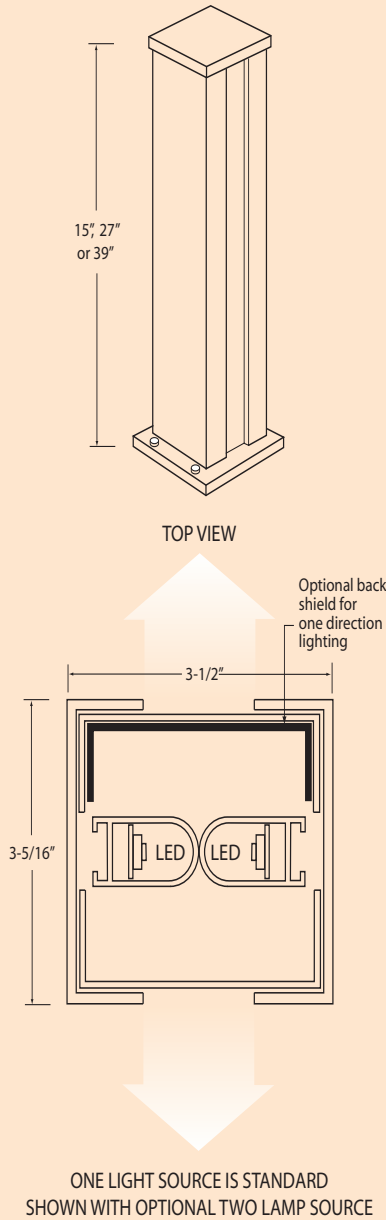
Nalu by day is an unobtrusive, organic sentry whose form fits into the gentle curves of both pathway and landscape. By night, Nalu provides powerful Xelogen or energy-saving LED illumination.

See page 19 for specification and ordering information.

Dreamscape Lighting presents the new **Aria LED Post Light**, an elegantly contemporary post/accent light that provides a striking visual image.

Available as a single sided, or dual sided luminaire. Both front and back surfaces display sharp vertical lines evenly illuminated from top to bottom. Placed in front of a wall, a halo is created around the fixture. It uses an energy efficient wet location enclosed LED light source to create this dramatic lighting effect. The LED source is available in different color temperatures and different colors.

Lamping: 2.5W per foot LED, encased in a wet location mounting tube.
Available color temperatures are 2700K, 3000K and 6500K.
Remote 24VAC. Note: Fixtures are to be fed from Class II magnetic transformers.





DLED-45 Series Specifications	
FIXTURE	Intersecting acrylic and extruded aluminum panels that house a 2.5W per foot linear LED light channel in a wet location mounting tube.
DIMENSIONS	15", 27" or 39"H x 3-1/2"W x 3-5/16"D
OPTIONS	Double sided - 2 LED strips (DBL) Single sided - 1 LED strip (SGL)
LAMP	2.5W per foot LED in 2700K, 3000K or 6500K
FINISH	GA - Grey Anodized SA - Satin Aluminum Clear Coat BL - Black RB - Rust Brown WH - White



To Form a Catalog Number:	Part No.	Length in Inches*	Double or Single Light	Finish	Color Temp.
Which Specifies:	DLED-45	27	SGL	GA	3000
	Aria LED Post Top	27"	1 - LED Strip	Grey Anodized	3000K
*Aria Post Top is available in three sizes: 15", 27" or 39"					

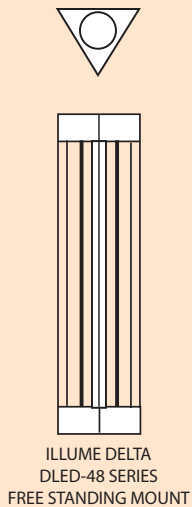
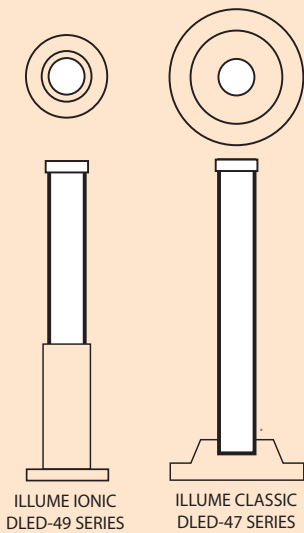
Illume by Dreamscape Lighting displays the clean lines that define classic architecture. The white acrylic light column stands like an exclamation point that punctuates your outdoor and indoor lighting statement.

Illume utilizes a reliable LED light source with a 35,000 hour lamp life and 2.5 watts per foot energy consumption.

Less energy used, less maintenance required, more impact - that's eco-friendly without losing any of the inherent 'wow factor' that accompanies every **Illume** installation.

Lamping: 2.5W per foot LED, encased in a wet location light tube. Available color temperatures are 2700K and 3000K. Remote 24VAC.

CONFIGURATIONS:





Rockport Dome by Dreamscape Lighting creates an organic, hand tooled look that goes in almost any outdoor environment. Both modern and traditional landscapes will benefit from Rockport's stout presence

Lamping: LED source. See spec sheet for details.

Cat. Number	Description
DLED-140	Rockport Dome Solid brass construction
DIMENSIONS	12"H x 10" Round Top on 3" Round Tube
FINISHES	1. Verdè 2. Satin Nickel 4. White* 5. Ancient Bronze 6. Brass Bronze 7. Custom 8. Copper Plate 9. Ancient Verdè 10. Grey Bronze 11. Rust Brown* 12. Black* 13. Pewter 14. Oil Rubbed Bronze 15. Copper Edged Bronze 16. Black Iron Textured Matte* 17. Copper Bronze* * Powder coat finishes



Dreamscape Lighting's Classic Dome makes an impressive impression as a pathway or accent light. Suitable for virtually any environment. A classic solid brass dome shape with an indirect LED light source that provides low brightness illumination for soft accent lighting.

Lamping: LED source. See spec sheet for details.

Cat. Number	Description
DLED-142	Classic Dome Solid brass construction
DIMENSIONS	22"H x 14" Round Top on 3-1/4" O.D. Solid Brass Pipe and 6-1/4" O.D. Solid Brass Mounting Plate
FINISHES	1. Verdè 2. Satin Nickel 4. White* 5. Ancient Bronze 6. Brass Bronze 7. Custom 8. Copper Plate 9. Ancient Verdè 10. Grey Bronze 11. Rust Brown* 12. Black* 13. Pewter 14. Oil Rubbed Bronze 15. Copper Edged Bronze 16. Black Iron Textured Matte* 17. Copper Bronze* * Powder coat finishes

The **LED Lunar Series** has been designed to provide discreet accent illumination. Made from solid brass, they are extremely durable and compact, allowing them to provide maximum controlled illumination in a small decorative housing. The fixtures are available in many hand etched metal finishes. These finishes age gracefully as the brass fixture weathers naturally in the landscape environment.

A large LED lamp selection offers a wide variety of illumination levels and color temperatures.



Lunar II mounted in trellis - DLED-104-224-4

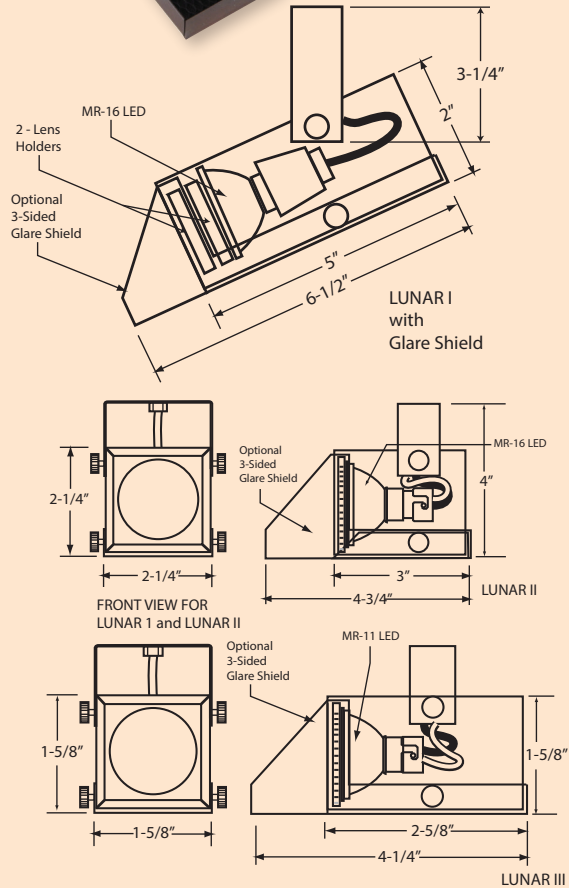
Cat. Number	Description
DLED-102	Lunar I LED (with clear lens and yoke)
DLED-104	Lunar II LED (with clear lens and yoke)
DLED-133	Lunar III LED (with clear lens and yoke)
Accessories	
DL-210	3-sided glare shield for Lunar I & II
DL-215	3-sided glare shield for Lunar III
DL-230	2" round canopy for all fixtures
DL-231	3-3/4" round canopy for all fixtures
DL-235	5" round canopy for all fixtures
DL-224	Honeycomb Louver
DL-226	Diffusion lens for all fixtures
DL-227	Linear lens for all fixtures
DL-228	Clear lens for all fixtures - standard
FINISHES	1. Verdè 2. Satin Nickel 4. White* 5. Ancient Bronze 6. Brass Bronze 7. Custom 8. Copper Plate 9. Ancient Verdè 10. Grey Bronze 11. Rust Brown* 12. Black* 13. Pewter 14. Oil Rubbed Bronze 15. Copper Edged Bronze 16. Black Iron Textured Matte* 17. Copper Bronze** Powder coat finishes



Lunar I with canopy mount, glare shield and honey comb louver
Copper Bronze - 3
DLED-102-210-231-224-5

Lunar II with canopy mount and honey comb louver
Pewter - 13
DLED-104-224-231-13

Lunar III with glare shield, 2" canopy and louver
Ancient Bronze - 5
DLED-133-230-224-5

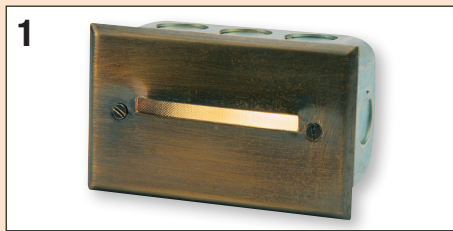


LED Lunar Lamp Matrix

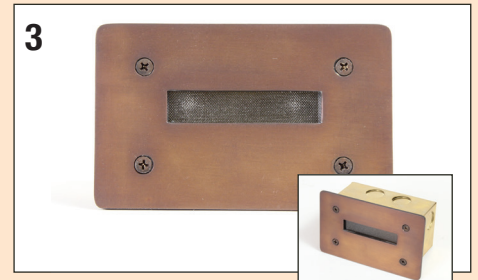
Part No.	Watts	Lumens	Bulb Type	Wet WL IP-61	Damp Location	Available Beam Spreads	CRI	Color Temp.
DLED-301	4	230	MR-16	WL	NA	15°, 30°, 60°	85	2200K, 2700K
DLED-302	5	420	MR-16	WL	NA	15°, 30°, 60°	85	3000K, 5700K, Red, Blue, Green, Amber
DLED-303	7	560	MR-16	WL	NA	15°, 30°, 60°	85	
DLED-304	2	120	MR-11	WL	NA	15°, 30°, 60°	85	
DLED-305	10	420	MR-16	NA	DL	10°, 20°, 36°	95	2700K, 3000K



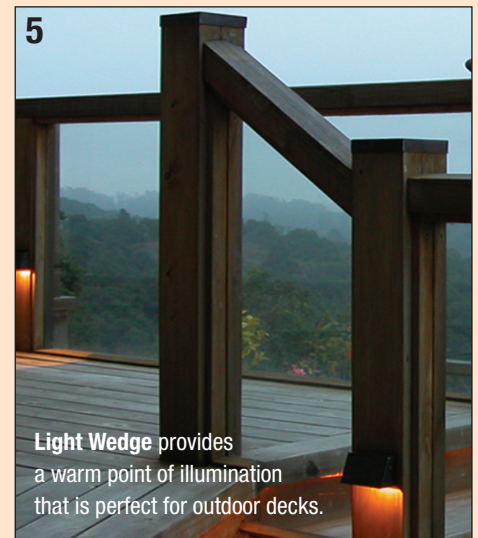
1. 2-Step Recessed Step Light is an unobtrusive yet effective step illumination source available in 15W Xelogen or 20W Halogen.
DL-124 2-Step Recessed Step Light
 Lamping: 15W Xelogen or Halogen for 12V Remote.



2. 3-Step Recessed Step Light is an unobtrusive yet effective step illumination source available in 15W Xelogen (2-Step) or .625W LED.
DLED-125-DRY 3-Step Recessed Step Light
DLED-125-WET 3-Step Wet Location Step Light
 Lamping: .625W LED Module.



3. 3-Step Overlap Recessed Step Light is an unobtrusive yet effective step illumination source in remodel housing available in .625W LED. Ideal for remodel applications.
DLED-125-OL-Wet 3-Step Recessed Step Light
DLED-125-OL-Dry 3-Step Recessed Step Light
 Lamping: .625W LED Module.



4. Light Ripples features unique lines with its floating disc lampholder. It is a decorative tool for lighting taller foliage.
DL-115L Large Light Ripples
DL-115S Small Light Ripples
 Lamping: 20W SC base for 12V Remote.

5. Light Wedge provides classic outdoor luminaire styling in a wedge shaped hooded downlight. Mounts to 4 x 4 post or junction box.
DL-131L Large Light Wedge
DL-131S Small Light Wedge
 Lamping: 20W SC base for 12V Remote.

6. LED Light Wedge is the same classic Light Wedge with a LED light source. Mounts to 4 x 4 post.
DLED-131L-LED Large LED Light Wedge
DLED-131S-LED Small LED Light Wedge
 Lamping: 20W SC base for 12V Remote.



Light Wedge provides a warm point of illumination that is perfect for outdoor decks.

DL-124 2-Step Step Light Specs	
FIXTURE:	Solid brass construction.
DIMENSIONS:	Faceplate: 4-5/8"W x 2-3/4"H Recess Depth: 2-1/8"
FINISH:	Shown above in Copper Plate (8). All finishes available.
MOUNTING:	Recessed Mount

DLED-125 WET / DLED-125 DRY Specs	
FIXTURE:	Solid brass construction.
DIMENSIONS:	Faceplate: 4-5/8"W x 2-1/2"H Recess Depth: 2-1/8"
FINISH:	Shown above in Copper Plate (8). All finishes available.
MOUNTING:	Recessed Mount

DLED-125-OL WET / DL-125-OL DRY 3-Step Step Light Specs	
FIXTURE:	Solid brass construction.
DIMENSIONS:	Faceplate: 5-3/16"W x 3-1/4"H Recess Depth: 2-1/8"
FINISH:	Shown above in Copper Plate (8). All finishes available.
MOUNTING:	Recessed Mount

DL-115L / DL-115S Light Ripples Specs	
FIXTURE:	Solid brass construction.
DIMENSIONS:	9"H x 5-3/8"W x 4-1/2"D (L) 4-3/8"H x 2-1/4"W x 3-3/4"D (S)
FINISH:	All finishes available except Copper Bronze (-3)
MOUNTING:	Surface Mount

DL-131L / DL-131S Light Wedge Specs	
FIXTURE:	Solid brass construction.
DIMENSIONS:	2-3/4"H x 4-1/2"W x 2"D (L) 2-3/4"H x 3-1/4"W x 2-3/8"D (S)
FINISH:	Shown above in Brass Bronze (6). All finishes available.
MOUNTING:	Surface Mount

DLED-131L-LED / DL-131S-LED Light Wedge Specs	
FIXTURE:	Solid brass construction.
DIMENSIONS:	2-3/4"H x 4-1/2"W x 2"D (L) 2-3/4"H x 3-1/4"W x 2-3/8"D (S)
FINISH:	Shown above in Black Powder Coat (12). All finishes available.
MOUNTING:	Recessed Mount

Dreamscape Lighting's Tree Pendant LED Downlight

is a solid brass cable hung pendant that provides downlighting and a visible star point accent illumination effect utilizing two styles of perforation patterns. The fixture is illuminated by a 3 watt, 170 lumens, 2700K, 35,000 hour life CREE LED module, which insures years of energy-saving and virtually maintenance free operation. Suspended by an 18" cable with 24" wire. 12V AC/DC. 3 year warranty.

Suki:

Provides a 'tropical effect' with champagne bubble small light perforations.

Maya:

Rounded square perforations blend well in urban parks, quads and green belt developments.

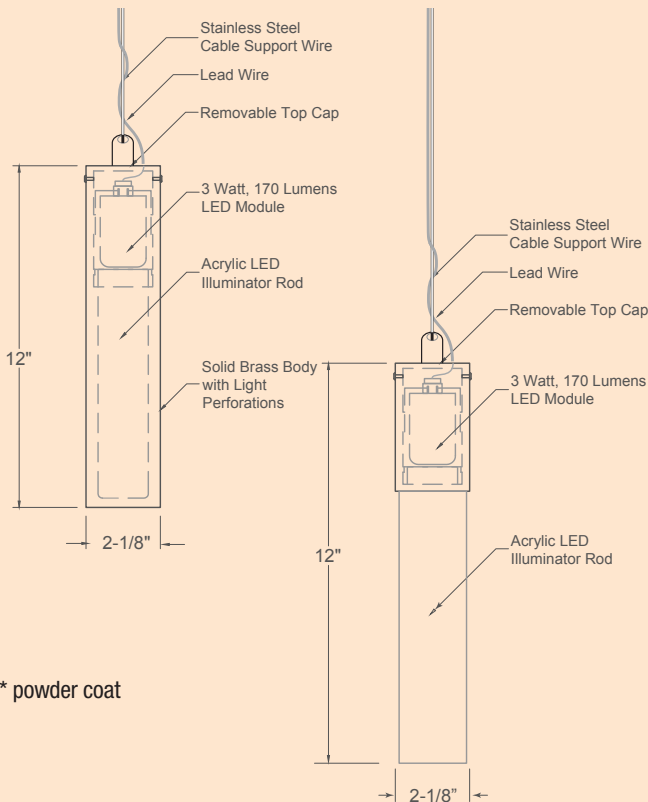
IllumeAir:

A cylindrical frosted acrylic 'light rod' adds a memorable, illuminated focal point to this fixture.

Both styles are available with these Dreamscape Lighting signature finishes:

- 1. Verdè, 2. Satin Nickel, 4. White*, 5. Ancient Bronze,
- 6. Brass Bronze, 7. Custom, 8. Copper Plate, 9. Ancient Verdè, 10. Grey Bronze,
- 11. Rust Brown*, 12. Black*, 13. Pewter, 14. Oil-Rubbed Bronze,
- 15. Copper Edged Bronze, 16. Black Iron Textured Matte Powder Coat*, 17. Copper Bronze Powder Coat*

* powder coat



* powder coat





Top: Maya Tree Pendant
Left: IllumeAir Tree Pendant
Above: Suki Tree Pendant detail

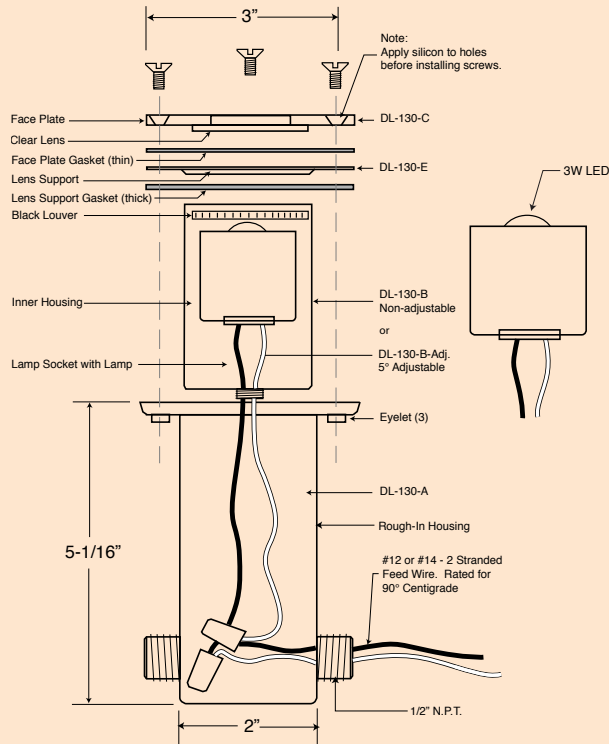
Micro Well Light creates dramatic lighting effects with its 3W, 170 lumen LED lamp. Its small scale allows it to be placed into areas normally unavailable to light fixtures because of their size.

The light source is regressed below a honey-comb louver to minimize surface brightness. The decorative trim plate that mounts flush with the rest of the surface is available in various metal etched finishes to compliment different types of textures, colors, surfaces and architectural compositions.

Lamping: 3W, 170 lumen LED lamp for remote 12V.



DL-130 Complete



Cat. Number	Description
DLED-130	Micro Well Light with 3W LED
DL-130-C	Face Plate (specify finish at right)
LAMP	308-40 3W LED Module with 40° Beam Spread 308-15 - 15° Optional Beam Spread 308-60 - 60° Optional Beam Spread 308-80 - 80° Optional Beam Spread OTHER LAMP TEMPS. AVAILABLE

Cat. Number	Description
7228-130	Clear Lens - (installed in face plate)
FINISHES:	
Top Plate Finishes:	1. Verdè 2. Satin Nickel 3. Copper Bronze 4. White 5. Ancient Bronze 6. Brass Bronze 7. Custom 8. Copper Plate 9. Ancient Verdè 10. Grey Bronze 11. Rust Brown 12. Black 13. Pewter
OPTICAL LENSES	
DL-7226-130	Diffusion Lens for Well Light
DL-7227-130	Linear Lens for Well Light

To Form a Catalog Number:	Part No.	Lamping	Face Plate Finish	Optional Optical Lens
Which Specifies:	DLED-130	308-40	5	DL-7226-139
	Micro Well Light for LED	3W LED 170 Lumens 2700K	Ancient Bronze	Diffusion Lens

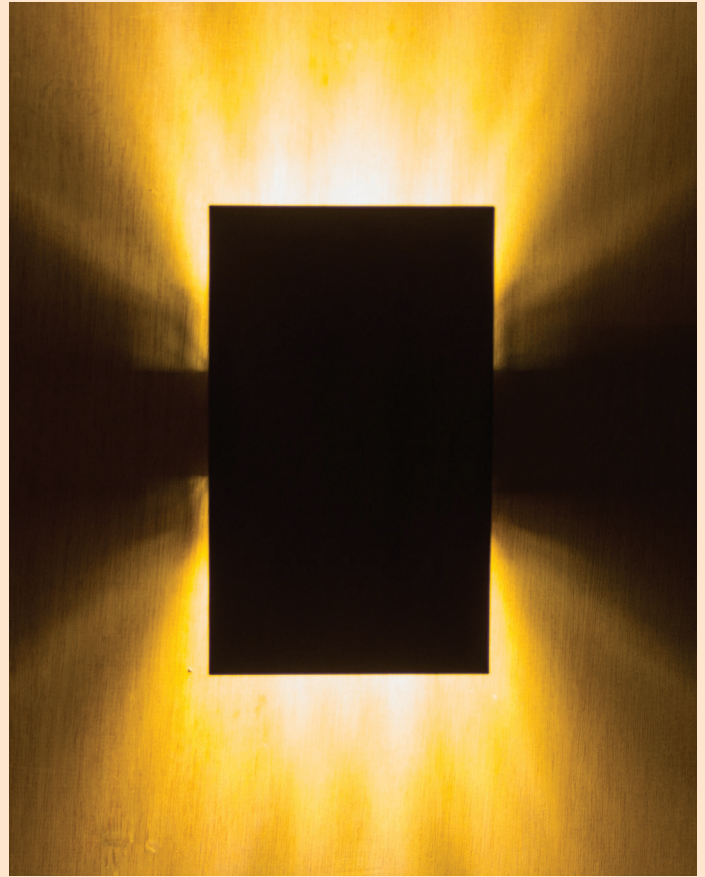
ORDERING EXAMPLE: DLED-130-308-40-5



Eclipse by Dreamscape Lighting adds a unique look to any outdoor environment. The floating disc lampholder can be used as a decorative tool for lighting taller foliage.

Lamping: LED source. See spec sheet for details.

Cat. Number	Description
DLED-103	Eclipse Solid Brass Construction
DIMENSIONS	23"H x 5" Shade Top on 18" Extension
FINISHES	1. Verdè 2. Satin Nickel 4. White* 5. Ancient Bronze 6. Brass Bronze 7. Custom 8. Copper Plate 9. Ancient Verdè 10. Grey Bronze 11. Rust Brown* 12. Black* 13. Pewter 14. Oil Rubbed Bronze 15. Copper Edged Bronze 16. Black Iron Textured Matte* 17. Copper Bronze* * Powder coat finishes



Dreamscape Lighting's **LED Light Ripples** has an LED light engine that lasts 35,000 hours. The unique and dramatic light spray effect creates a memorable ambience.

Lamping: LED source. See spec sheet for details.

Cat. Number	Description
DLED-115L	Large LED Light Ripples
DIMENSIONS	9"H x 5-3/8"W x 4-1/2"D
FINISHES	1. Verdè 2. Satin Nickel 4. White* 5. Ancient Bronze 6. Brass Bronze 7. Custom 8. Copper Plate 9. Ancient Verdè 10. Grey Bronze 11. Rust Brown* 12. Black* 13. Pewter 14. Oil Rubbed Bronze 15. Copper Edged Bronze 16. Black Iron Textured Matte* 17. Copper Bronze* * Powder coat finishes

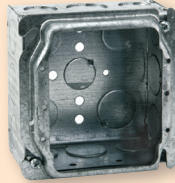
Solid brass mounting box

DL-260-B
4-5/8" SQ. x 3"D



4" square deep box with mounting ring.

DL-260
4" SQ. x 2-1/4"D



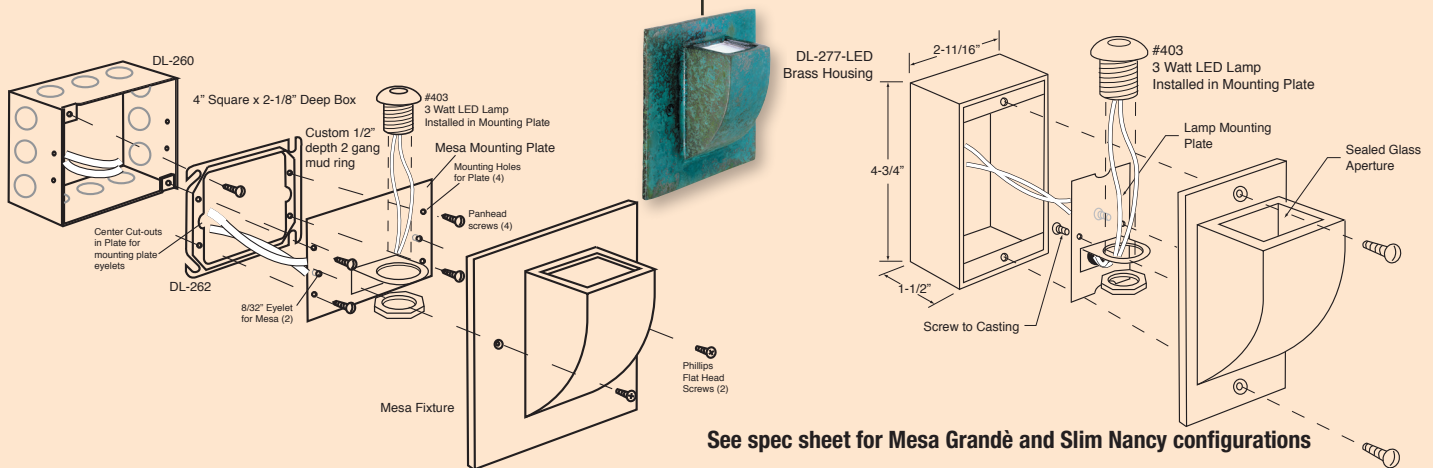
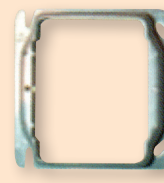
Cast aluminum wet location mounting box.

DL-261
4-1/2" SQ. x 3"D



Mounting ring only for 4" square box

DL-262
4" SQ. x 1/2"D



See spec sheet for Mesa Grandè and Slim Nancy configurations

Mesa (126), Slim Mesa (127) and Mesa Grandè (128) Specifications

Fixture	DLED-126 Mesa DLED-127 Slim Mesa DLED-128 Mesa Grandè DLED-129 Slim Nancy
Dimensions	5" x 5" x 2-1/8" (126), 2-7/8" x 5" x 2-1/8" (127) 5" x 5" x 2-1/8" (128)
Recess	3-5/8" (126), 3-1/2" (127), 2-1/8" (128)
Lens	.125 glass - linear or diffusion
Lamp for DLED-126	3W LED, 170 lumens
Lamp for DLED-127	3W LED, 170 lumens
Lamp for DLED-128	9W LED
Lamp for DLED-129	3W LED, 170 lumens
Electrical	12V remote transformer or solid state power supply recessed into a junction box. ETL listed for wet location.
Housing	Zinc plated steel, aluminum or brass housing.

Options

Electrical	12V AC Remote 120V with Integral Transformer
Lens	A - Linear B - Diffusion
Lamps	DLED-306 - 3W, 170 lumens, Wet Location, Available in 15°, 40°, 60° 80° Beam Spreads, 85 CRI, Available in 2750K, 3950K, 6000K DLED-307 (Mesa Grandè only) - 9W, 590 lumens, Damp Location, 120°, 92 CRI, 3000K DLED-308 - 3W, 170 lumens, Wet Location, Available in 15°, 40°, 60° 80° Beam Spreads, 85 CRI, Available in 2750K, 3950K, 6000K
Finishes	1. Verdè 2. Satin Nickel 4. White* 5. Ancient Bronze 6. Brass Bronze 7. Custom 8. Copper Plate 9. Ancient Verdè 10. Grey Bronze 11. Rust Brown* 12. Black* 13. Pewter 14. Oil Bronze* 15. Copper Edged Bronze 16. Black Iron Textured Matte* 17. Copper Bronze* * powder coat

To Form a Catalog Number:	Part No. DLED-126	Lens B	Lamp DLED-306	Finish 8	Housing 260
Which Specifies:	Exterior fixture with solid state transformer	Diffusion Lens	3W LED	Copper Plate.	4" square deep box with mounting ring.

ORDERING EXAMPLE: DLED-126-B-DLED-306-8-260

Zinc plated steel housing for concrete or wood construction.

Note: Specify 901-A or 901-B

Solid brass housing for harsh environments with built in 1/2" raised finish flange.

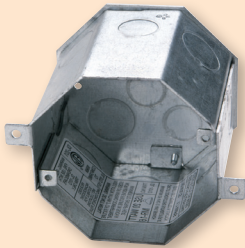
Brass remodel housing for core drill applications.

Transition inner cup with 1/2" raised finish flange for applications requiring an exposed edge for finished material.

Transition inner cup with no finish flange.

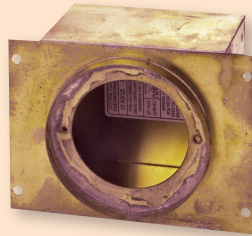
DL-201

4-1/8"W x 3-5/8"D



DL-201B

6-9/16"W x 5"D



DL-208

4-1/8"W x 3-5/8"D



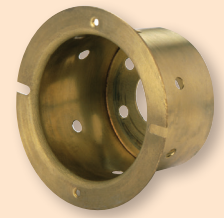
DL-901-A

4-1/4"W x 2-3/4"D

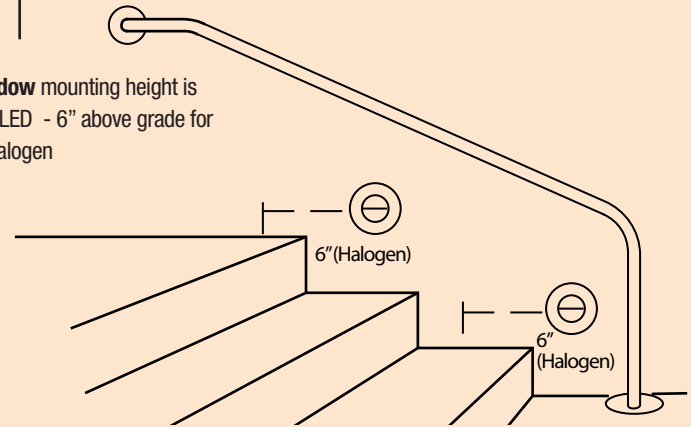
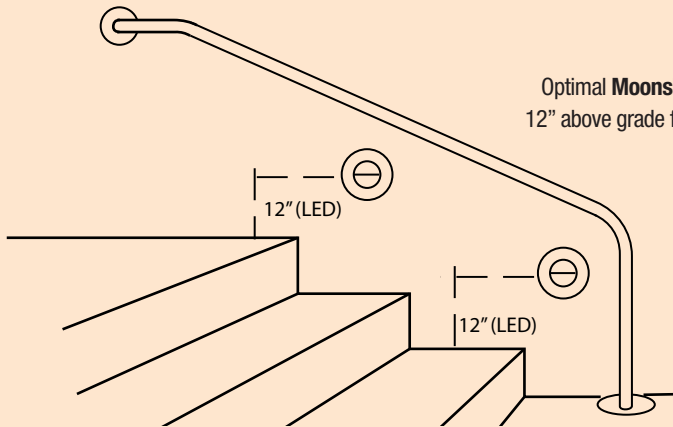


DL-901-B

4-1/4"W x 2-1/4"D



Optimal **Moonshadow** mounting height is 12" above grade for LED - 6" above grade for halogen



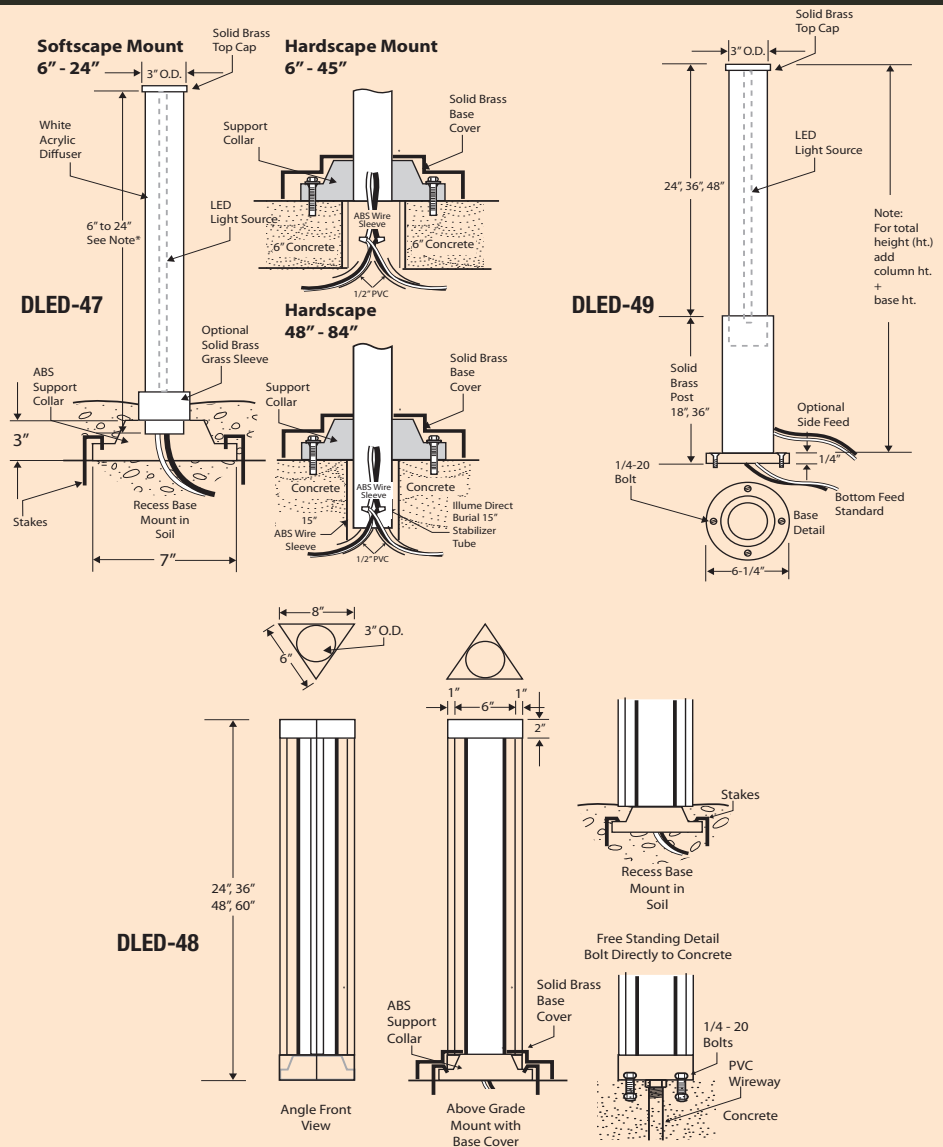
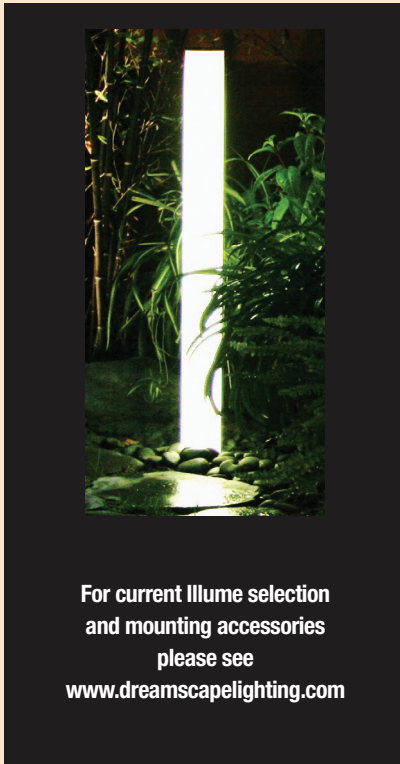
DL-101 Series Specifications	
Fixture	Solid brass sand-cast trim with solid brass lamp holder.
Dimensions	5"
Recess	3-5/8"
Lens	.125 glass with linear prism
Lamp	4W, 5W, 7W or 10W LED 5W is standard. All lamps are spot.
Housing	Zinc plated steel, aluminum or brass housing
Electrical	12V remote transformer. ETL listed for masonry wet location and interior drywall construction.

Options	
Mounting	D-Screw mount with gasket
Lamps	DLED-301-15-XX* DLED-302-15-XX* DLED-303-15-XX* DLED-305-10-XX* *specify color temp.
Lens	1. Verdè 2. Satin Nickel 3. Copper Bronze 4. White* 5. Ancient Bronze 6. Brass Bronze 7. Custom 8. Copper Plate 9. Ancient Verdè 10. Grey Bronze 11. Rust Brown* 12. Black* 13. Pewter 14. Oil Bronze* 15. Copper Edged Bronze 16. Black Iron Textured Matte* 17. Copper Bronze* *powder coat finish

To Form a Catalog Number:	Part No. DLED-101	Mounting Style D	Housing 201	Inner Cup 901-A	Lamp DLED-302-15-2700	Finish 6
Which Specifies:	Fixture	Screw Fit	Zinc Plate Steel Housing	1/2" Flange Inner Cup.	15° Spot, 2700K See above matrix for more lamping choices.	Brass Bronze

Illume Classic and Ionic are variable length LED fixtures. Both are available in 6" to 96". **Illume Delta** is available in 24", 36", 48" and 60" models. The LED column itself is 3" O.D.

Illume is also available in RGB.

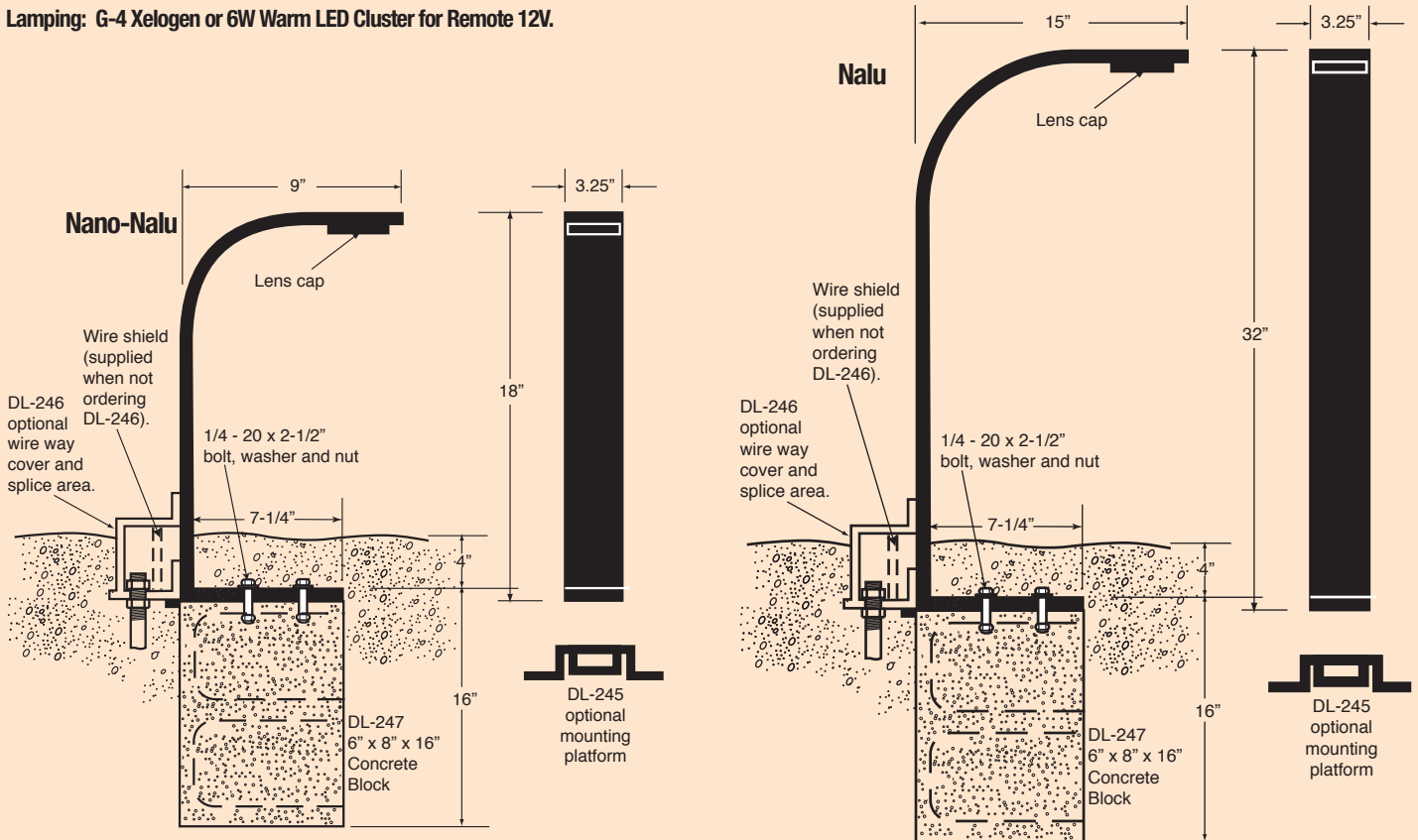


DLED-47 (Classic), DLED-48 (Delta), DLED-49 (Ionic) Specifications	
Fixture	Solid brass construction with white acrylic column that houses a 2.5W per foot linear LED lightsource.
Dimensions	DLED-47: 6" - 72" (in 3" increments) H x 3" O.D. x 7" O.D. (base) DLED-48: 24", 36", 48", or 60" H x 8" W DLED-49: 18" H Base (for 24", 36" column), 36" H Base (for 48" column) 24", 36" or 48" column x 3" O.D.
Lamp	2.5W per foot LED in 2700K, 3000K or RGB
7228-130	Clear Lens - (installed in face plate)
Mounting	DLED-47: Base Cover (BC), Grass Sleeve (GS), Support Stakes (set of 3) (ST) Note: 6" - 42" - Base Mount Only, 45" - 60" - Base Mount with 12" Direct Burial 63" - 72" - Base Mount with 18" Direct Burial DLED-48: Base Mount (BM), Free Standing (FS) Optional base mount cover available for surface mounting DLED-49: Standard Surface Mount (see Base Detail in above product diagram).
Finish	1. Verdè 2. Satin Nickel 4. White* 5. Ancient Bronze 6. Brass Bronze 7. Custom 8. Copper Plate 9. Ancient Verdè 10. Grey Bronze 11. Rust Brown* 12. Black* 13. Pewter 14. Oil-Rubbed Bronze 16. Black Iron Textured Matte* 17. Copper Bronze* *powder coat finishes

To Form a Catalog Number:	Part No.	Length in Inches	Color Temp.	Options	Top Cap and Base Finish
Which Specifies:	DLED-47	48"	2700	BC	B
	Illume Classic	48"	2700K	Base Cover.	Copper Plate

Dreamscape's award winning **Nalu and Nano-Nalu** architectural landscape fixture is a sculptural illuminator that utilizes either a Xelogen or 24V LED light source. Nalu provides general accent illumination to highlight landscape vegetation or hardscape.

Lamping: G-4 Xelogen or 6W Warm LED Cluster for Remote 12V.

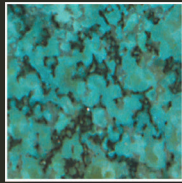


DL-180 Series Specifications	
Fixture	Powder coat steel or solid brass construction.
Dimensions	32" H x 15" D x 3.25" W (Nalu) 18" H x 9" D x 3.25" W (Nano-Nalu)
Lamp	20W Xelogen (5,000 Hr.) or 6W LED Cluster 2700K (20,000 Hr.)
Electrical	Xelogen: 12V AC/DC Remote LED: 24V DC Remote
Finish	1. Verdè 2. Satin Nickel 4. White* 5. Ancient Bronze 6. Brass Bronze 7. Custom 8. Copper Plate 9. Ancient Verdè 10. Grey Bronze 11. Rust Brown* 12. Black* 13. Pewter 14. Oil Rubbed Bronze 15. Copper Edged Bronze 16. Black Iron Textured Matte* 17. Copper Bronze* *powder coat finishes
Mounting	Base is supplied with 2 - 15/16" holes for bolting down to below grade mounting platform.

Ordering Guide	
Fixture	
DL-182	Nalu Solid Brass 20W Halogen / Xelogen
DL-183	Nalu Solid Brass 6W 2700K LED Cluster
DL-186	Nano-Nalu Solid Brass 20W Halogen / Xelogen
DL-187	Nano-Nalu Solid Brass 6W 2700K LED Cluster
Power	DL-MAG-1060-24 60VA Remote 24V DC for LED Powers up to 6 LED Nalu and Nano-Nalu Fixtures
Mounting	20W Xelogen (5,000 Hr.) or 6W LED Cluster 2700K (20,000 Hr.)
DL-245	Mounting Platform
DL-246	1/2" PVC Bottom Plate with Wireway Cover
DL-247	6" x 6" x 16" Concrete Block Mounting

To Form a Catalog Number:	Part No. DLED-183	Power DL-MAG-1060-24	Finish. 9	Mounting DL-245
Which Specifies:	Nalu Solid Brass LED	LED Remote Transformer	Ancient Verdè	Mounting Platform

FINISHES



Verdè - 1



**Satin
Nickel - 2**



**Copper
Bronze - 3**



White* - 4



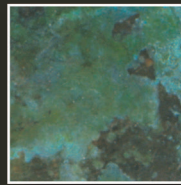
**Ancient
Bronze - 5**



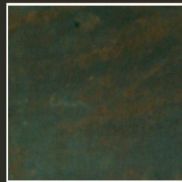
**Brass
Bronze - 6**



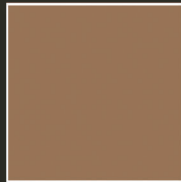
**Copper
Plate - 8**



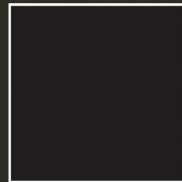
**Ancient
Verdè - 9**



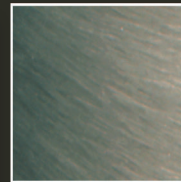
**Grey
Bronze - 10**



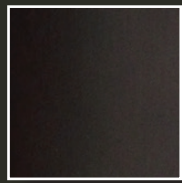
**Rust
Brown* - 11**



Black* - 12



Pewter - 13



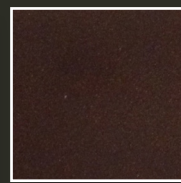
**Oil-Rubbed
Bronze - 14**



**Copper Edged
Bronze - 15**



**Black Iron
Textured
Matte* - 16**



**Copper
Bronze* - 17**

All finishes are natural etched metal, except for 2, 8 and 13 which are plated. * Powder coat finish.

dreamscape
LIGHTING MFG., INC.

©2014 Dreamscape Lighting Mfg., Inc.
5521 W. Washington Blvd. • Los Angeles, CA 90016
Phone: 323-933-5760 • FAX: 323-933-3607
info@dreamscapelighting.com • www.dreamscapelighting.com
Specifications subject to change without notice.