

### LED 50,000 Hour Dimmable Light Strip for Dry Location 95 Lumens per Foot - 2.5 Watts per Foot - CRI 80

PROJECT

TYPE

CATALOG NUMBER

**Fixture Description:** A continuous enclosed LED dimmable enclosed light strip that offers a warm, soft, even glow at a huge savings over incandescent, halogen, or fluorescent. Runs cooler than incandescent or halogen, and contains no harmful gasses. 50,000 hour lamp life saves on maintenance and re-lamping costs while enabling unique linear lighting effects and illumination.

**Construction:** LED diodes wired into rigid LED strip with jumper wire and feed wire pre-wired and pre-mounted in a sealed white acrylic extrusion that diffuses light into a soft glow. White (WH) or clear (CL) lens available.

**Electrical:** 24 Volt AC. 2.5 Watts per foot. 95 lumens per foot. Dimmable.

**Mounting:** Surface mount using unique slide in or snap-in buttons that securely holds fixture slightly above surface plane.

**Applications:** Under Bench Lighting • Covers • Light Pockets • Architectural Details • Bullnose Under Cabinet Toe Kick • Water Effects and Illumination (not submersible).

**NOTE: Actual length of LED will be less than tube length.**

**NOTE: Dimmers used must be approved for magnetic loads and use direct current or voltage regulation, such as Lutron Diva Series. Dimmers that use phase forward dimming technology must have a neutral. Check with factory for compatibility.**

**IMPORTANT: LED strips are to be fed from UL Listed Class II magnetic transformers or Lutron Constant Voltage Drivers..**

**NOTE: Color acrylic available. Contact factory.**

**Please consult our website for any updated specifications on this product:**

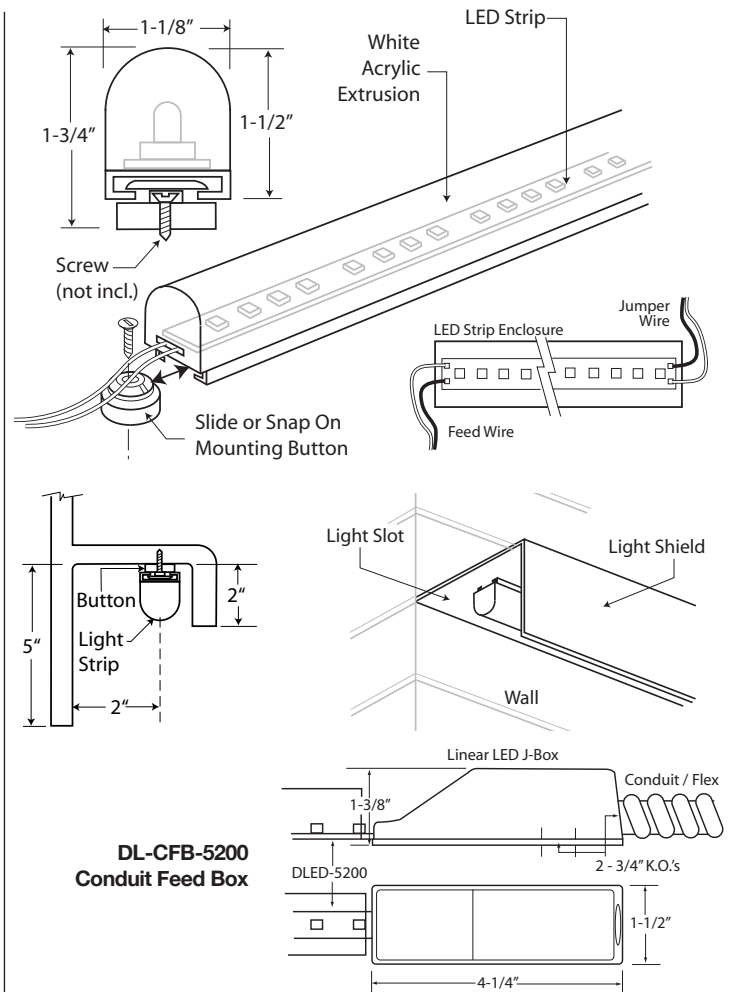
[www.dreamscapelighting.com](http://www.dreamscapelighting.com)

#### LED Specifications

Voltage	24V AC
Watts	2.5W per foot
Lumens per Foot	95
Color Temperature	2400K, 2700K, 3000K, 6500K
CRI	80
Beam Spread	120°
Maximum Run	12'
Maximum Single Length	6'
Mounting	Clip or double stick tape
Warranty	5 years / 50,000 hours (in an environment that reaches no higher than 60°C / 140°F) NOTE: Please contact factory regarding warranty if fixture is exposed to higher ambient temperatures.

#### Secondary Wire Spec

Maximum Load	50W
Maximum Distance	50 feet
Wire	16AWG 2/C Type CM-CL2 ETL-CM CL3 Standard copper conductor



#### HOW TO MAKE AN OPTIMAL M.O.L. CALCULATION\*

Finish area measurement  
(make sure it is divisible by 3). If not,  
decrease until it is.

**+ 1/2" PER 8' LENGTH**

**= OPTIMAL M.O.L.**

\*M.O.L. is the Maximum Overall Length for the LED linear fixture that you are ordering.

Model Number	LED Length	Feed Wire Length (F)	Jumper Wire Length (J)	Pigtail Length (P)	Lens Color	Color Temp.
DLED-5200	_____ "M.O.L.	1.5", 3", 6", 12" 18", 30", CUSTOM	None* (0), 1.5", 3", 6", 12" 18", 30", CUSTOM	0, 3", 12", 36" CUSTOM	WH White CL Clear	2400K 2700K 3000K 6500K Blue Red Green Yellow

Ordering Example: **DLED-5200-36-1/2"M.O.L.-F3"-J3"-P3"-WH-2700**

**NOTE: All LED lengths 75" - 144" are made up of 2 separate units joined together by a 1" flex wire. FOR CURVILINEAR APPLICATIONS - SPECIFY .75" JUMPER LENGTH. You can specify "0" for no jumper wire on end. \*\*PIGTAIL LENGTH: 1 pigtail per run (specify 3", 12", 36" or Custom).**