

Solid Brass Compact Accent Luminaire Lamping: MR-16 LED Retrofit

PROJECT	TYPE	CATALOG NUMBER
---------	------	----------------

Fixture Description:

The LUNAR SERIES have been designed to provide discreet accent illumination. Made from solid brass they are extremely durable and compact, allowing them to provide maximum controlled illumination in a small decorative housing. The fixtures are available in many hand etched metal finishes. These finishes age gracefully as the brass fixture weathers naturally in the landscape environment.

Construction: Solid brass construction with optional glare shield and light control accessories. Also available as a canopy mount or ground mount accent light.

(See spec sheet for Lunar Post and Stake Mount).

Lamping: Lunar I: 4W, 5W, 7W, 10W MR-16 LED Retrofit - 2700K / 3000K
Lunar II: 4W, 5W, 7W, 10W MR-16 LED Retrofit - 2700K / 3000K
Lunar III: 2W MR-11 LED Retrofit - 2200K / 5700K / Colors

Electrical: Requires remote 12 volt source.

Mountings: Yoke mount, 1/2" NPT canopy.

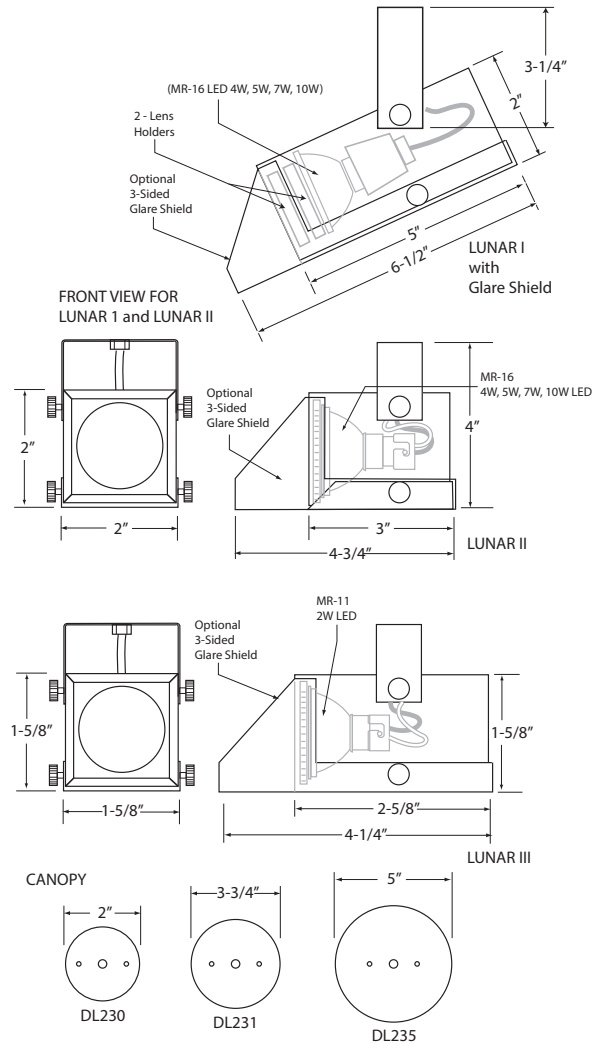
Labels: ETL Listed Wet Location - Conforms to UL1838

Diffusers: Diffusion and linear lens. See ordering chart below.

Finishes: 1. Verdè 2. Satin Nickel 4. White* 5. Ancient Bronze 6. Brass Bronze
7. Custom 8. Copper Plate 9. Ancient Verdè 10. Grey Bronze 11. Rust Brown*
12. Black* 13. Pewter 14. Oil-Rubbed Bronze 15. Copper-Edged Bronze
16. Black Iron Textured Matte* *powder coat finish

Lamps: NOTE: LUNAR III WILL ONLY ACCEPT DLED-304 MR-11 RETROFIT LAMP

Cat. Number	Description
DLED-102	Lunar I
DLED-104	Lunar II
DLED-133	Lunar III
DL-210	3-sided glare shield for Lunar I & II
DL-215	3-sided glare shield for Lunar III
DL-230	2" round canopy for all fixtures
DL-231	3-3/4" round canopy for all fixtures
DL-235	5" round canopy for all fixtures
DL-224	Honeycomb Louver
DL-226	Diffusion lens for all fixtures
DL-227	Linear lens for all fixtures
DL-228	Clear lens for all fixtures - standard



To Form a Catalog Number:	Part No.	Lamp.	Beam Spread	Color Temp.	Accessories	Optics	Finish
	DLED-102	301	15°	2700K	210	224	14
Which Specifies:	DLED-102	301	15°	2200K, 2700K	210	224	14
	DLED-104	302	30°	3000K, 5700K	215	226	Oil-Rubbed Bronze
		303	60°	3000K	230	227	
		305	14°, 25°, 40°	2700K, 3000K	231	228	(See all other available finishes above left).
	DLED-133	304	15°, 30°, 60°, 120°	2700K / 3000K	235		

LAMPS

Part No.	Watts	Lumens	Bulb Type	Wet WL IP-61	Damp Location	Available Beam Spreads	CRI	Color Temp.
DLED-301	4	230	MR-16	WL	NA	15°, 30°, 60°, 120°	85	2200K, 2700K
DLED-302	5	420	MR-16	WL	NA	15°, 30°, 60°, 120°	85	3000K, 5700K, Red, Blue, Green, Amber
DLED-303	7	560	MR-16	WL	NA	15°, 30°, 60°, 120°	85	
DLED-304	2	120	MR-11	WL	NA	15°, 30°, 60°, 120°	85	
DLED-305	10	14°: 345, 25°: 500, 40°: 500	MR-16	NA	DL	14°, 25°, 40°	95	2700K, 3000K

Ordering Example: **DLED-102-301-15°-2700K-210-224-14**

©2016 Dreamscape Lighting
Specifications are subject to change without notice.

5521 West Washington Blvd.
Los Angeles, CA 90016

Telephone: (323) 933-5760
FAX: (323) 933-3607

www.dreamscapelighting.com
info@dreamscapelighting.com

