

A Glowing Luminous Diffuser Inside a 3/4" Flush Mount Trimless Reveal
150 Lumens per Foot - 2.2 Watts per Foot LED - 3000K, CRI 90

PROJECT	TYPE	CATALOG NUMBER
---------	------	----------------

Fixture Description:

The Avanti Thin Line Wall and Ceiling Light can provide a decorative glowing line of light that is flush with a drywall surface.

Construction:

Housing constructed of extruded aluminum. The light source is a 90 CRI, 2.2 watt, 24VDC tape light covered by a white extruded acrylic lens. Each length includes 1 junction box attached to extruded aluminum housing.

Electrical:

24 Volt DC. Dimmable.

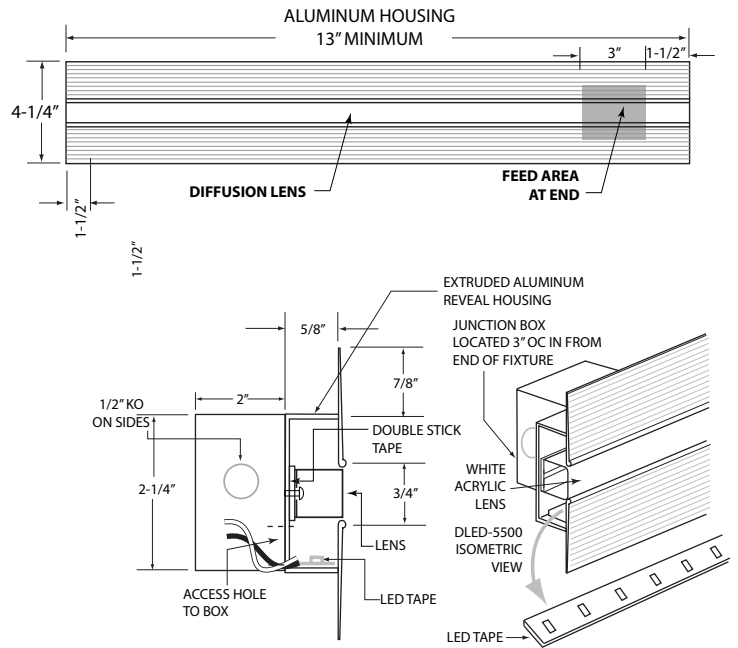
Note: Use approved remote Class II 24VDC drivers.

Dimming:

LTF driver with Reverse Phase Technology or Lutron® L3D 3-Wire Remote Driver.

Mounting:

Extruded aluminum reveal molding mounts on top of notched 5/8" drywall for wall and ceiling. Lens has bottom screw attachment.



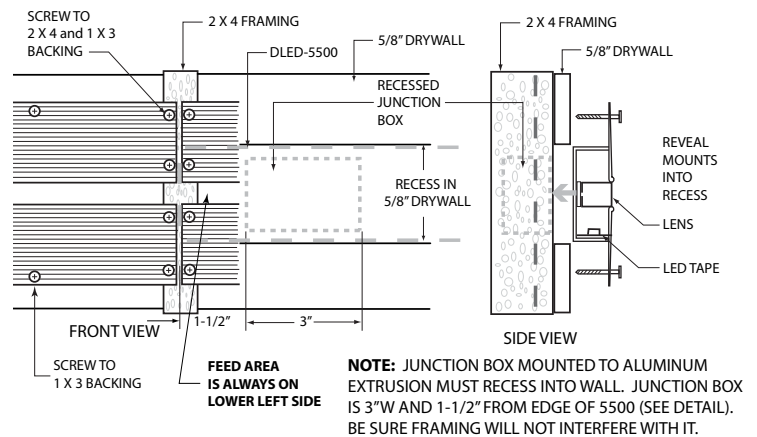
Drivers

DL-LTF-2496-DIM-RE

DL-LUTRON-2496-DIM-RE

LED Specifications

Voltage	24VDC
Watts	2.2W per foot
Lumens per Foot	150
Color Temperature	2700K, 3000K
CRI	90+
Beam Spread	120°
Maximum Run	16'
Maximum Single Length	16'
Mounting	Double stick tape in extrusion
Warranty	3 years / 35,000 hours



Model Number	Dimensions	Color Temp.
DLED-5500 ATL	13" - _____ NO MAXIMUM	2700K 3000K

Ordering Example for Optimal Dimension: **DLED-5500 ATL-15'-3000K**