

### Solid Brass Dry, Damp or Wet Accent Path Light Fixture Lamping: 1 x 10W or 20W LED

PROJECT

TYPE

CATALOG NUMBER

#### Fixture Description:

A cast brass dimmable path light utilizing an energy saving 35,000 hour, Xicato 95 CRI LED lamp for uplighting or downlighting. 700 or 1300 lumens.

#### Construction:

A solid brass sand casting with a glass sealed aperture.

#### Electrical:

Integral in mounting box, a dimmable constant current driver. Specify input voltage, either 120V or 277V. Specify output current, either 350mA or 700mA. Provide reverse phase with neutral dimming technology to dim Xicato LED module.

#### Dimming:

Dimmable down to 20%.

#### Mounting:

Solid brass 8/32" phillips screws and 2 hex head machine screws mount faceplate to custom transition plate attached to mud ring or to DL-260B 2-gang brass box.

Wet location requires 2 additional support screws in face plate (see diagram at right).

#### Finishes:

1. Verdè
2. Satin Nickel
4. White\*
5. Ancient Bronze
6. Brass Bronze
7. Custom
9. Ancient Verdè
10. Grey Bronze
11. Rust Brown\*
12. Black\*
13. Pewter
14. Oil-Rubbed Bronze
15. Copper-Edged Bronze

\*powder coat finish

#### Optional Mounting Boxes:

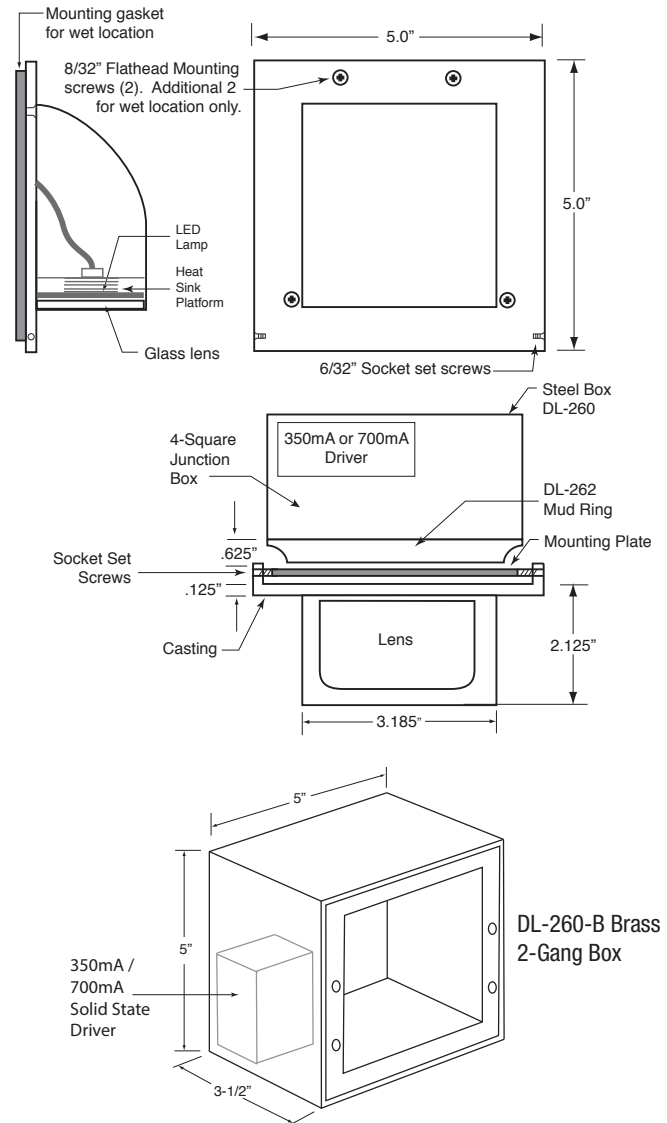
Cat. Number	Description
DL-260	4" square deep steel box
DL-260-B	Square deep brass box
DL-262	2 gang 1/2" raised mounting ring for use with DL-260 housing

#### Lamps:

Cat. Number	Description
307	LED - 3000K, 95 CRI

#### Drivers:

Wattage	Description	Lumens
20 Watt	700mA - CC - 120V / 277V	1300
10 Watt	350mA - CC - 120V / 277V	700



To Form a Catalog Number:	Prefix: DLED-128-SSD	Voltage 120	Wattage 10	Location DRY	Color Temp. 3000	Mounting Direction UP	Accessories L4	Finish 4 (White)
<b>Which Specifies:</b>	DLED-128-SSD includes solid-state driver (350mA or 700mA)	120V	10W	DRY	3000K Standard	UP	L4 Black Louver	4 (White)
		277V	20W	DAMP	3500K* 2700K*	DOWN	L3 Spread Lens	See finishes above.
				WET	*minimum quantities		L2 Standard Diffusion Lens	

Ordering Example: **DLED-128-SSD-120-10-WET-3000-DOWN-L2-4**