

A Miniature In-Grade Recessed Fixed or Adjustable Up Light For Wood Floor Application. Lamping: LED

PROJECT	TYPE	CATALOG NUMBER
---------	------	----------------

Fixture Description:

The INTERIOR MICRO WELL LIGHT can create dramatic lighting effects with its 20 watt MR-11 or 3W LED lamp. Its small scale allows it to be placed into areas normally unavailable to light fixtures because of their size. The MR-11 or LED light source is regressed below dual stacked honeycomb louvers to minimize surface brightness. The decorative trim overlaps the housing edge and is available in various metal etched finishes to complement different types of textures, colors, surfaces and architectural compositions. For 3/4" sub and 3/4" finish floor. Custom sizes available.

Construction: Aluminum rough-in housing with brass lamp compartment and brass top plate.

Dimensions: Height: 5-1/16"
Cone Dia.: 2-1/16"
Top Dia.: 3"
Face Plate: 3-1/4"
Rough-In: Sub-floor: 2-1/16"
Finish-floor: 3-3/16"

Lamp: 12 volt, 20 watt DC or bi-pin base MR-11 with front glass or 3 watt LED.

Electrical Requirements: Requires remote 12 volt source.

Labels: ETL Listed Damp Location - Conforms to UL1598, Certified Canada CSA 22.2

Diffusers: Diffusion and linear lens. See ordering chart below. 2700K (other color temps. available - consult factory).

Electrical Requirements: Requires remote 12 volt source.

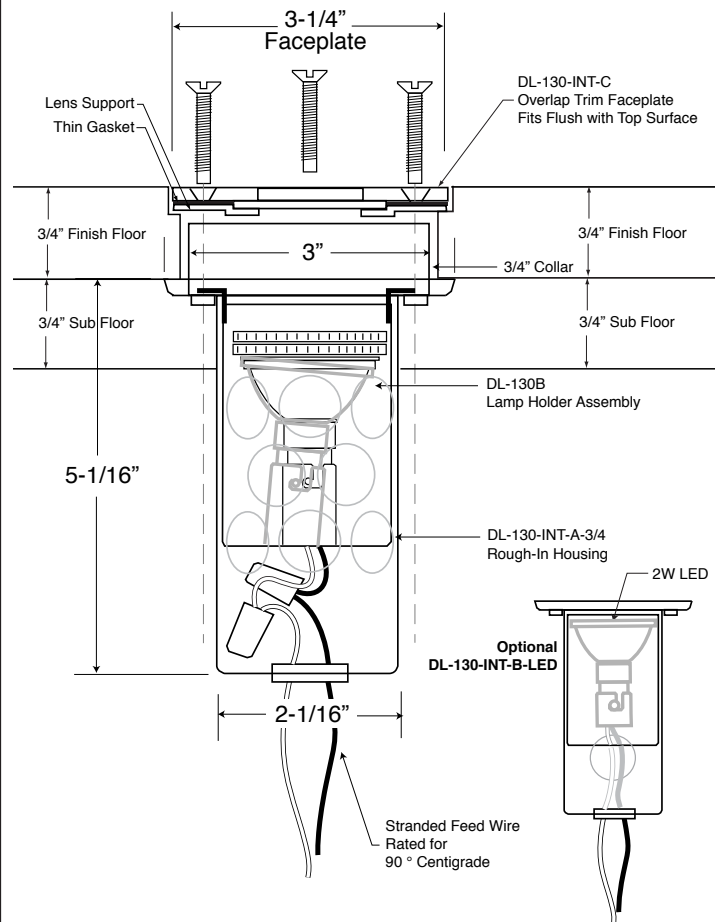
Applications: Uplighting architectural structures, statuary, trees, or placement in pedestals below columns.

Labels: ETL Listed for Wet Location - Conforms to UL1598, Certified Canada CSA 22.2

Options:

Diffusers: Diffusion and linear lens. See ordering chart below.

Cat. Number	Description
DL-130-INT-3/4	Interior Micro Well Light - (Ht. Standard - 3/4" sub + 3/4" finish floor) (includes parts A, B & C and 20W MR-11/FG)
DL-130-INT-Adj.-3/4	Interior Adjustable Micro Well Light - (Ht. Standard - 3/4" sub + 3/4" finish floor) (includes parts A, B & C and 20W MR-11/FG)
DLED-130-INT-3/4-Fixed	Fixed, Non-Adjustable Micro Well Light (Ht. Standard - 3/4" sub + finish floor) (includes parts A, B-adj. & C) and 3W lamp.
	(specify 20W MR-11/FG Spot or Flood)
DL-130-INT-A-3.4	Housing for Interior Well Light - 3/4 x 3/4
DL-130-INT-B	Inner Cup and MR-11 Lamp
DLED-130-INT-B	Inner Cup and LED Lamp
DL-130-INT-B-Adj.	5° Adjustable Inner Cup and MR-11 Lamp
DLED-130-INT-B-Adj.	5° Adjustable Inner Cup and LED Lamp
DL-130-INT-C	Faceplate with Clear Lens
LAMPS:	
DLED-402-30	2 Watt AR-11 LED - 30°
DLED-402-60	2 Watt AR-11 LED - 60°
DL-601	20 Watt MR-11 Spot
DL-602	20 Watt MR-11 Flood
7228-130	Clear Lens - (installed in face plate)
FINISHES:	
Top Plate Finishes:	1. Verdè 2. Satin Nickel 3. Copper Bronze 4. White 5. Ancient Bronze 6. Brass Bronze 7. Custom 8. Copper Plate 9. Ancient Verdè 10. Grey Bronze 11. Rust Brown 12. Black 13. Pewter
OPTICAL LENSES	
DL-7226-130	Diffusion Lens for Well Light
DL-7227-130	Linear Lens for Well Light



Finishes:

- Verdè
- Satin Nickel
- Copper Bronze
- White*
- Ancient Bronze
- Brass Bronze
- Custom
- Copper Plate
- Ancient Verdè
- Grey Bronze
- Rust Brown*
- Black*
- Pewter
- Oil-Rubbed Bronze
- Copper Edged Bronze
- Black Iron Textured Matte Powder Coat*
- Copper Bronze Powder Coat*

MR-11 Ordering Example:

DL-130-INT-3/4 (Fixed)
DL-130-INT-Adj.-3/4 (Adjustable)

LED Ordering Example:

DLED-130-INT-3/4 (Fixed)
DLED-130-INT-Adj.-3/4 (Adjustable)