

A Glowing Luminous Diffuser Inside a 3/4" Flush Mount Trimless Reveal
150 Lumens per Foot LED - 2.2 Watts per Foot LED - CRI 90+

PROJECT	TYPE	CATALOG NUMBER
---------	------	----------------

Fixture Description:

The Trimless Micro Slot LED Step Lighting System provides effective illumination from an LED light source that is recessed inside a trimless aluminum extrusion.

Construction:

Housing constructed of extruded aluminum. The light source is a 90+ CRI, 2.2 watt, 24VDC tape light covered by a white extruded acrylic lens. Each length includes 1 junction box attached to extruded aluminum housing.

Electrical:

24 Volt DC / 2.2 watts per foot. Dimmable.

Note: Use approved remote Class II 24VDC drivers.

Dimming:

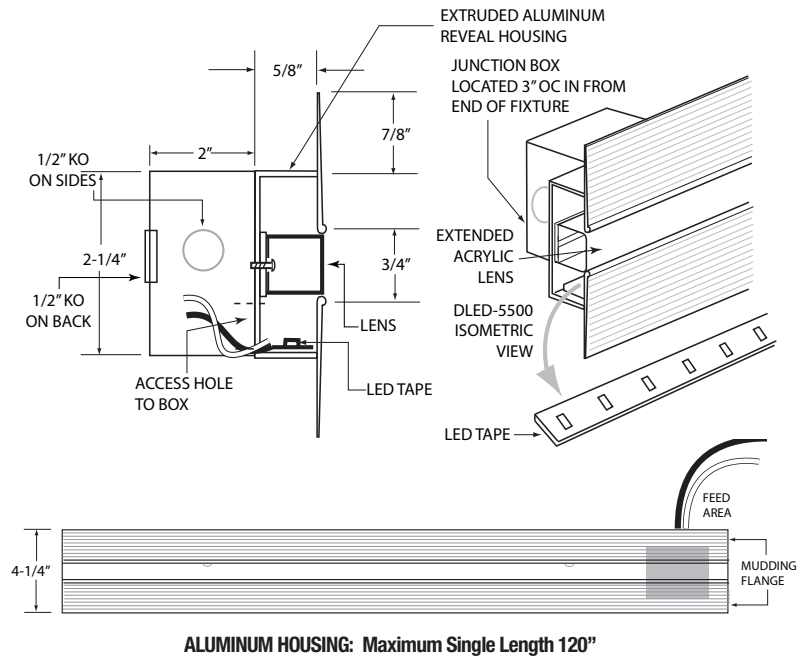
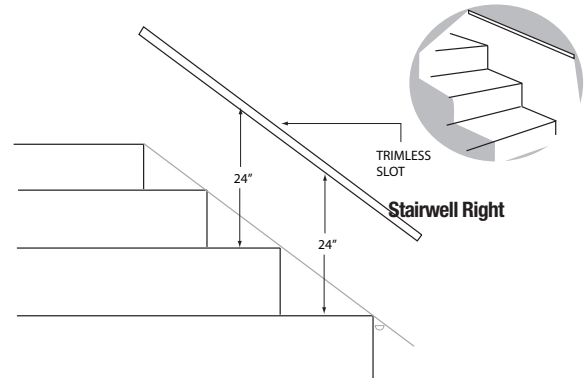
LTF driver with Reverse Phase Technology or Lutron® L3D 3-Wire Remote Driver.

Mounting:

Extruded aluminum reveal molding mounts on top of notched 5/8" drywall.

Labels:

ETL listed.



Remote Power Supplies

DL-LTF-2496-DIM-RE-96	96W - Max. 15' LED board per home run
DL-LUTRON-2496-DIM-RE	60W - Max. 10' LED board per hom run

LED Specifications

Voltage	24VDC
Watts	2.2W per foot
Lumens per Foot	150
Color Temperature	2700K, 3000K, 3500K
CRI	90+
Beam Spread	120°
Maximum Run peer Feed	16'
Maximum Length	16'
Mounting	Rests in extrusion
Warranty	3 years / 35,000 hours

ALUMINUM HOUSING: Maximum Single Length 120"

Model Number	Stair Wall Left	Stair Wall Right	Color Temp.
DLED-5900	SWL	SWR	2700K 3000K 3500K
<p>_____ " M.O.L. LENGTH</p> <p>NOTE: MAX. SINGLE LENGTH IS 120"</p>			

Ordering Example: **DLED-5900-96MOL-SWR-2700K**