

### LED 50,000 Hour Dimmable Light Strip with Sealed Enclosure 95 Lumens per Foot (white color only) - 2.5 Watts per Foot - CRI 80

PROJECT	TYPE	CATALOG NUMBER
---------	------	----------------

**Fixture Description:** A continuous wet location LED dimmable enclosed light strip that offers a warm, soft, even glow at a huge savings over incandescent or halogen. Runs cooler than incandescent or halogen, and contains no harmful gasses. 50,000 hour lamp life saves on maintenance and re-lamping costs while enabling unique linear lighting effects and illumination.

**Construction:** LED diodes wired into rigid LED strip with jumper wire and feed wire pre-wired and pre-mounted in a sealed white acrylic extrusion that diffuses light into a soft glow. White (WH) or clear (CL) lens available.

**Electrical:** 24 Volt AC. 2.5 Watts per foot. 95 lumens per foot. Dimmable. Use wet location wire nuts for all wire termination.

**Mounting:** Surface mount using unique slide in or snap-in buttons that securely holds fixture slightly above surface plane.

Applications:

- Under Bench Lighting • Covers • Light Pockets
- Architectural Details • Bullnose • Under Cabinet • Toe Kick
- Water Effects and Illumination (not submersible).

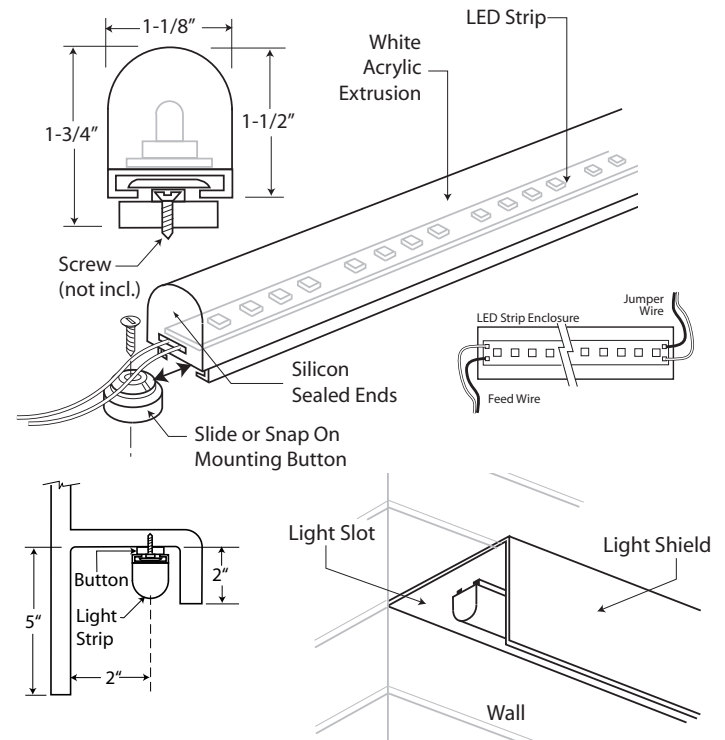
**Note:** Actual length of LED will be less than tube length.

**IMPORTANT:** LED strips are to be fed from UL Listed Class II magnetic transformers or Lutron Constant Voltage Drivers.

**NOTE:** Color acrylic available. Contact factory.

**NOTE:** Dimmers used must be approved for magnetic loads and use direct current or voltage regulation, such as Lutron Diva Series. Dimmers that use phase forward dimming technology must have a neutral. Check with factory for compatibility.

Please consult our website for any updated specifications on this product:  
[www.dreamscapelighting.com](http://www.dreamscapelighting.com)



#### HOW TO MAKE AN OPTIMAL M.O.L. CALCULATION\*

Finish area measurement  
(make sure it is divisible by 3). If not,  
decrease until it is.

$$+ \underline{1-1/2'' \text{ PER } 8' \text{ LENGTH}}$$

$$= \text{OPTIMAL M.O.L.}$$

\*M.O.L. is the Maximum Overall Length for the LED linear fixture that you are ordering.

#### LED Specifications

Voltage	24V AC
Watts	2.5W per foot
Lumens per Foot	95
Color Temperature	2700K, 3000K, Blue, Red, Green, Yellow
CRI	80
Beam Spread	120°
Maximum Run	12'
Maximum Single Length	8'
Mounting	Clips
Warranty	3 years / 35,000 hours (in an environment that reaches no higher than 60°C / 140°F) NOTE: Please contact factory regarding warranty if fixture is exposed to higher ambient temperatures.

**HOW TO CREATE OR VERIFY AN OPTIMAL M.O.L. (Maximum Overall Length).** 1. Measure area for finish dimensions. 2. Reduce finish dimension to nearest length divisible by 3. 3. Add 1-1/2" per 6' length to new finish dimension. 4. This is the optimal dimension for the wet location product.

#### Secondary Wire Spec

Maximum Load	50W
Maximum Distance	50 feet
Wire	16AWG 2/C Type CM-CL2
	ETL-CM CL3
	Standard copper conductor

Model Number	LED Length	Feed Wire Length (F)	Jumper Wire Length (J)	Lens Color	Color Temp.
DLED-5200-WL	_____ "M.O.L.	1.5", 3", 6", 12", 18", 30", CUSTOM	None* (0), 1.5", 3", 6", 12", 18", 30" CUSTOM	WH White CL Clear	2400 2700K 3000K Blue Red Green Yellow

Ordering Example: **DLED-5200-WL-37-1/2"M.O.L.-F3"-J3"-WH-3000K**

**NOTE:** All LED lengths 99" - 144" are made up of 2 separate units joined together by a 1" flex wire. FOR CURVILINEAR APPLICATIONS - SPECIFY .75"  
\*JUMPER WIRE LENGTH You can specify "0" for no jumper wire on end.