

Accent Lighting for Wet Location
Lamping: 1 x 2.1W 3000K LED Panel

PROJECT	TYPE	CATALOG NUMBER
---------	------	----------------

Fixture Description:

A brass wet location surface mounted down accent light designed primarily for post, deck and step lighting where a rustic wedge shape is desired utilizing an energy saving 2.1 watt LED panel with 120 lumens output.

Construction:

Solid brass mounting plate and cover.

Electrical:

Remote 12V AC power supply from magnetic transformer or driver.

WARNING: Solid state transformers may not be compatible with our LED products. Recommended power supplies: Use approved magnetic transformers or approved LED electronic drivers.

Mounting:

Fixtures may mount directly to wood or mount to DL-240 Brass for large Wedge, or DL-241 Brass for small Wedge.

Finishes:

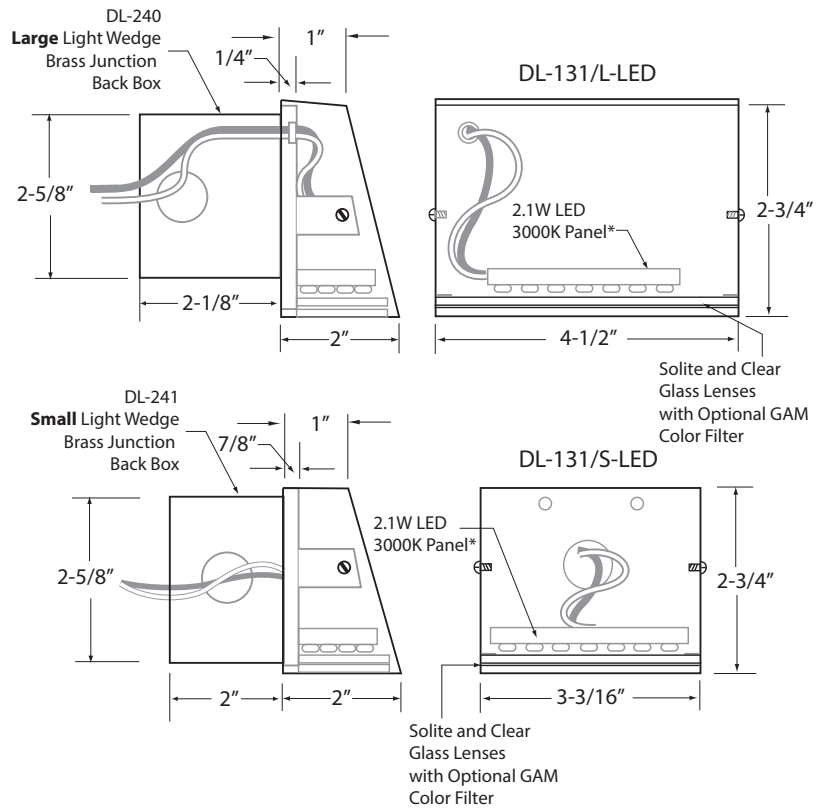
1. Verde, 2. Satin Nickel, 3. Copper Bronze, 4. White*, 5. Ancient Bronze, 6. Brass Bronze, 7. Custom, 8. Copper Plate, 9. Ancient Verde, 10. Grey Bronze, 11. Rust Brown*, 12. Black*, 13. Pewter

* Powder coat

LED Wattage	Lumens	Color Temp.
2.1W	120	3000K

Lenses:

Diffusion and clear glass lens.
Optional warm color filter available.



To Form a Catalog Number:	Part No.	Optional Back Box	Optional Filter	Finish
	DLED-131L	DL-240	CF-2500	5
Which Specifies:	Light Wedge Large	DL-240 Large	Optional Warm Color Filter	1. Verde, 2. Satin Nickel, 3. Copper Bronze, 4. White*, 5. Ancient Bronze, 6. Brass Bronze, 7. Custom, 8. Copper Plate, 9. Ancient Verde, 10. Grey Bronze, 11. Rust Brown*, 12. Black*, 13. Pewter
	DLED-131S Light Wedge Small	DL-241 Small		* Powder coat

Ordering Example: **DLED-131L-DL-240-CF-2500-5**