

### Solid Brass Exterior Accent Lighting Fixture Lamping: 3000K - 98CRI - 1 x 9W or 19W LED

PROJECT

TYPE

CATALOG NUMBER

**Fixture Description:**

A cast brass wet location dimmable wall sconce utilizing an energy saving 35,000 hour 95 CRI LED lamp for uplighting or downlighting. 1300 lumens.

**Construction:**

A solid brass sand casting with a glass sealed aperture.

**Electrical:**

Integral in mounting box with dimmable 277V-24VDC or 700mA CC driver. Utilizes a Xicato module constant current LED that can be powered by either a 350 or 700mA CC driver. 277 volt driver available. Consult factory.

**Mounting:**

Solid brass 8/32" phillips screws mount faceplate to custom 2-gang mud ring attached to 4" square box or to 2-Gang brass box.

**Finishes:**

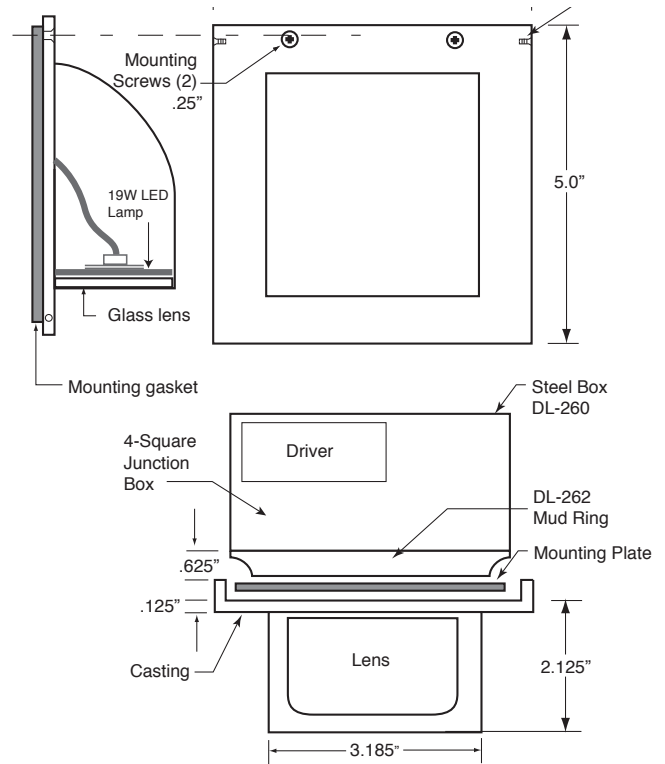
1. Verdè 2. Satin Nickel 4. White\* 5. Ancient Bronze 6. Brass Bronze, 7. Custom 9. Ancient Verdè 10. Grey Bronze 11. Rust Brown\* 12. Black\*, 13. Pewter 14. Oil-Rubbed Bronze 15. Copper-Edged Bronze 16. Black Iron Textured Matte\*  
\*powder coat finish

**Optional Mounting Boxes:**

Cat. Number	Description
DL-260	4" square deep steel box
DL-260-B	4" square deep brass box
DL-262	2 gang 1/2" raised mounting ring for use with DL-260 housing (included with face plate)

Cat. Number	Description
307	LED - 3000K, 90+CRI

Wattage	Description
19 Watt	700mA - CC - 120V / 277V
9 Watt	350mA - CC - 120V / 277V
	Contact factory for 277V



To Form a Catalog Number:	Part No.	Voltage	Finish
	DLED-128-SSD	120	4
Which Specifies:	DLED-128-SSD Integral driver in mounting box	120V 277V	4 - White See all finishes above

Ordering Example: **DLED-128-SSD-120-4**

**Note: Housing is optional and must be ordered separately.**