

Solid Brass Dry, Damp or Wet Accent Lighting Fixture Lamping: 1 x 10W or 20W LED

PROJECT

TYPE

CATALOG NUMBER

Fixture Description:

A cast brass dimmable LED wall sconce with a 95 CRI Xicato COB module. Fixture is suitable for wet or dry location and may be used for uplighting or downlighting.

Construction:

A solid brass sand casting with a glass sealed aperture.

Electrical:

Integral in mounting box, a dimmable constant current driver. Specify input voltage, either 120V or 277V. Specify wattage, either 10W or 20W. Provide reverse phase with neutral dimming technology to dim Xicato LED module. Dimmable down to 20%.

Mounting:

Solid brass 8/32" phillips screws and 2 hex head machine screws mount faceplate to custom transition plate attached to mud ring or to DL-260B 2-gang brass box. Wet location requires 2 additional support screws in face plate (see diagram at right).

Finishes:

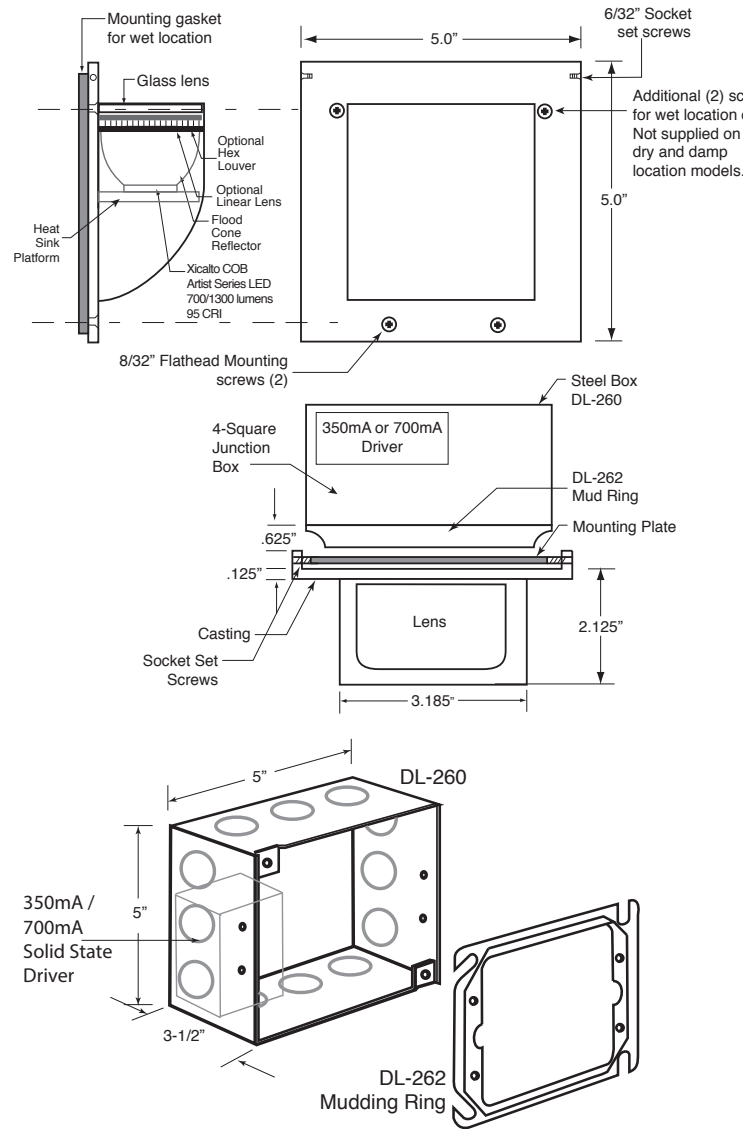
1. Verdè 2. Satin Nickel 4. White* 5. Ancient Bronze 6. Brass Bronze, 7. Custom 9. Ancient Verdè 10. Grey Bronze 11. Rust Brown* 12. Black*, 13. Pewter 14. Oil-Rubbed Bronze 15. Copper-Edged Bronze 16. Black Iron Textured Matte*
- *powder coat finish

Optional Mounting Boxes:

Cat. Number	Description
DL-260	4" square deep steel box
DL-260-B	Square deep brass box
DL-262	2 gang 1/2" raised mounting ring for use with DL-260 housing

LED Wattage:

Wattage	Description	Lumens
20 Watt	700mA - CC - 120V / 277V	1300
10 Watt	350mA - CC - 120V / 277V	700



To Form a Catalog Number:	Prefix: DLED-128-SSD	Voltage 120	Wattage 10	Beam Spread 30°	Location DRY	Color Temp. 3000	Direction UP	Black Hex Louver L4	Finish
Which Specifies:	DLED-128-SSD includes solid-state driver (350mA or 700mA)	120V	10W	100°	DRY	3000K Standard	UP	L4	4 (White)
		277V	20W	30°	DAMP	3500K* 2700K*	DOWN		See finishes above.
	Mounting box ordered separately			16°	WET	*minimum quantities			
				20° x 40°					

Ordering Example: **DLED-128-SSD-120-10-30°-DRY-3000-UP-L4-4**

Note: Housing is optional and must be ordered separately.