

Solid Brass Interior or Exterior Accent Lighting Fixture Suitable for Dry, Damp and Wet Location. Lamping: 1 x 10W LED 700 Lumens.

PROJECT	TYPE	CATALOG NUMBER
---------	------	----------------

Fixture Description:

A cast brass wet location dimmable wall sconce utilizing an energy saving 35,000 hour, Xicato 95CRI LED lamp for uplighting or downlighting. 700 lumens.

Construction:

A solid brass sand casting with a glass sealed aperture.

Electrical:

10 watt Xicato CC lamp with dimmable constant current 10W 350mA driver. Specify input voltage, either 120V or 277V at 350mA. Uses reverse phase with neutral dimming technology.

Dimming:

Dimmable down to 20%.

Mounting:

Solid brass 8/32" phillips screws mounts faceplate to DL-278 mounting box.

Finishes:

1. Verdè 2. Satin Nickel 4. White* 5. Ancient Bronze 6. Brass Bronze, 7. Custom 9. Ancient Verdè 10. Grey Bronze 11. Rust Brown* 12. Black*, 13. Pewter 14. Oil-Rubbed Bronze 15. Copper-Edged Bronze

*powder coat finish

Labels:

ETL listed

Mounting Box:

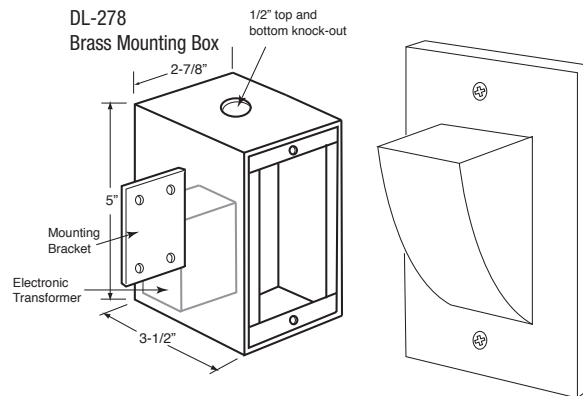
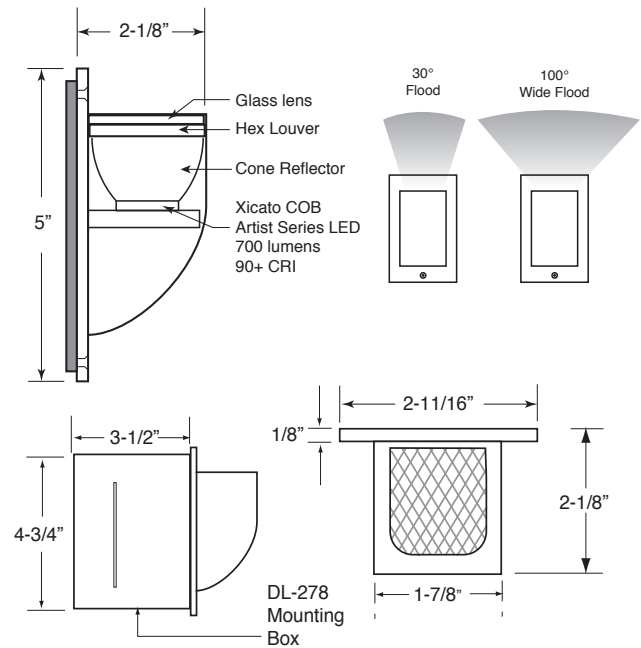
Cat. Number	Description
DL-278	Brass mounting box

Lamp:

Cat. Number	Description
307	LED - 2700K / 3000K / 3500K, 90+CRI 700 Lumens

Driver:

Wattage	Description
10 Watt	350mA - CC - 120V / 277V



To Form a Catalog Number:	Prefix: DLED-127-SSD	Voltage 120	Wattage 10	Location DRY	Color Temp. 3000	Beam Spread WFL	Mounting Direction UP	Accessories L2	Finish
Which Specifies:	DLED-127-SSD	120V	10W	DRY	3000K	FL	UP	L2	4
	Includes DL-278 mounting box and 10W driver	277V		DAMP	Standard	30° Flood	DOWN	Standard Diffusion Lens	
				WET	3500K*	WFL		L4	
					2700K*	100° Flood		Black Louver	
	Optional DL-277 housing available				*minimum quantities				

Ordering Example: **DLED-127-SSD-120V-10W-DRY-3000K-WFL-UP-L2-4**