

Solid Brass Accent Lighting Fixture Suitable for Interior and Exterior Lamping: 1 x 4W LED Lumens: 170

PROJECT	TYPE	CATALOG NUMBER
---------	------	----------------

Fixture Description:

A cast brass wet location wall sconce utilizing a 4 watt, 170 lumens energy saving 35,000 hour LED lamp for uplighting, downlighting, wall washing or grazing illumination techniques.

Construction:

A solid brass sand casting with a glass sealed louvered aperture.

Electrical:

DLED-126: Remote 12V power supply required. **DLED-126-SSD:** 120V feed wire to 120V, 277V LV. Integral electronic solid state power supply requiring a 120V-AC feed and supplying 12 Volt AC power to the led module. Power supply is dimmable using reverse phase technology with a neutral present.

Dimming:

Dimmable down to 20%.

Mounting:

Solid brass 8/32" phillips screws mount faceplate to custom housing.

Finishes:

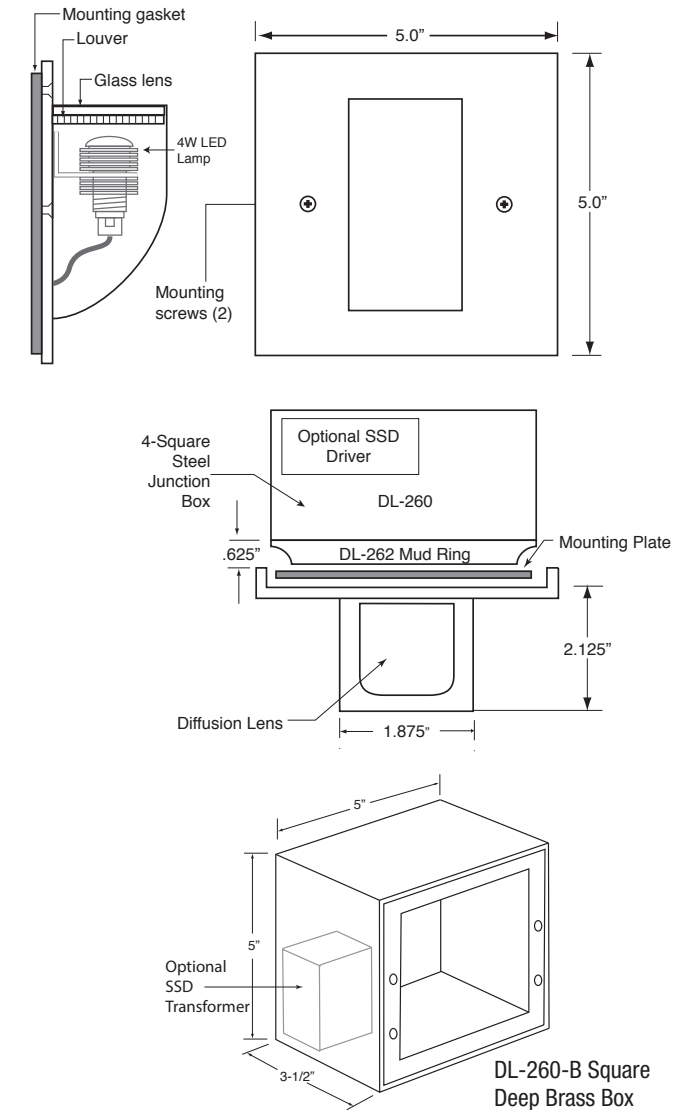
1. Verde, 2. Satin Nickel, 4. White*, 5. Ancient Bronze, 6. Brass Bronze, 7. Custom, 9. Ancient Verde, 10. Grey Bronze, 11. Rust Brown*, 12. Black*, 13. Pewter, 14. Oil-Rubbed Bronze, 15. Copper Edged Bronze, 16. Black Iron Textured Matte*
- *Powder coat

Optional Housings

Cat. Number	Description
DL-260	4" square deep steel box
DL-260-B	Square deep brass box
DL-262	2 gang 1/2" raised mounting ring for use with DL-260 housing (included with face plate)

Lamping

Cat. Number	Description
406	4W 2750K LED, Spot or Flood (40°), 170 lumens 12V AC/DC, Optional beam patterns available



To Form a Catalog Number:	Part No.	Voltage	Location	Lens	Lamp	Finish
	DLED-126-SSD	120V	DRY	B	406	4
Which Specifies:	DLED-126-SSD Includes SSD driver	277V	DAMP	A - Linear B - Diffusion	406- 4W 2750K LED FL-Flood SP-Spot (other color temps. available)	See all finishes above
	DLED-126 Requires 12V remote AC/DC power supply	12V	WET			

Ordering Example: **DLED-126-SSD-120V-DRY-B-406-FL-4** (includes housing and solid state driver)
DLED-126-12V-DRY-B-406-FL-4 (includes housing - remote transformer required)