

Project:

# MOONSHADOW EXTERIOR ILLUMINATOR FOR WET LOCATION

Lamping: 1 x 7.5W MR-16 LED RETROFIT

Date:

Cat. No:

DLED-101-D- \_\_\_\_\_ + \_\_\_\_\_ + \_\_\_\_\_

Type:

### Fixture Description:

A solid brass sand casting with a glass sealed aperture and solid brass lamp holder for wet locations. The fixture is available with three different housings and utilizes a 7 watt MR-16 LED retrofit lamp. Applications include step lighting, path lighting or grazing illumination techniques.

### Construction:

A solid brass sand casting with a glass sealed louvered aperture.

### Electrical:

Remote 12-volt power supply.

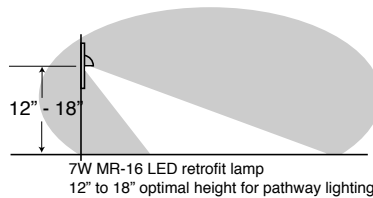
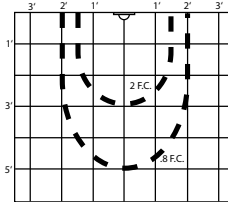
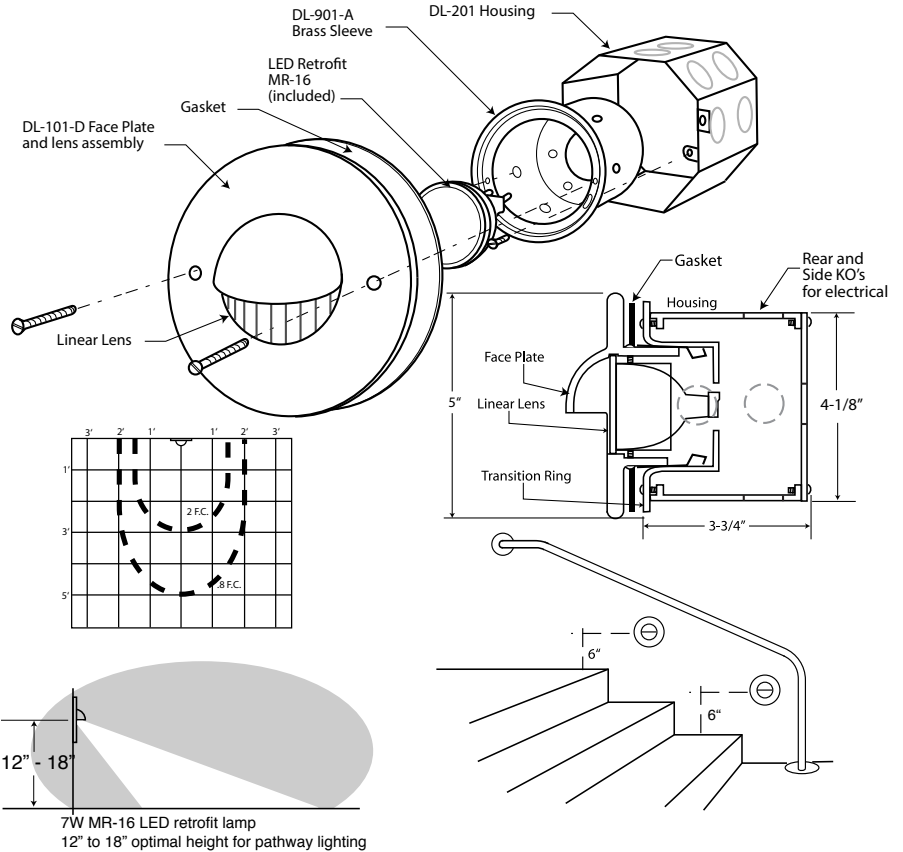
### Mounting:

Solid brass 8/32" phillips screws mount faceplate to housing.

### Finishes:

1. Verdè 2. Satin Nickel 4. White\*
5. Ancient Bronze 6. Brass Bronze,
7. Custom 9. Ancient Verdè 10. Grey Bronze
11. Rust Brown\* 12. Black\*,
13. Pewter 14. Oil-Rubbed Bronze
15. Copper-Edged Bronze
16. Black Iron Textured Matte\*

\*powder coat finish



### Lamp:

7W MR-16 LED retrofit spot lamp.

### Lens:

.125 glass with linear prism.

### Label:

ETL listed, wet location.  
UL 1598  
CSA

### Housings



### TO FORM A

### CATALOG NUMBER:

### WHICH SPECIFIES:

Part #	Mounting	Housing	Inner Cup	Lamp	Color Temp.	Finish
DLED-101	D	DL-201	901-A	303-SP	2700K	5
Moonshadow Fixture	Screw Fit	Zinc Plated Steel Housing DL-201B DL-208	1/2" Flange Inner Cup 901-B	7.5W MR-16 LED Spot	2700K 3000K	1. Verdè 2. Satin Nickel 4. White* 5. Ancient Bronze 6. Brass Bronze, 7. Custom 9. Ancient Verdè 10. Grey Bronze 11. Rust Brown* 12. Black*, 13. Pewter 14. Oil-Rubbed Bronze 15. Copper-Edged Bronze 16. Black Iron Textured Matte* *powder coat finish