

Solid Brass Interior / Exterior Accent Lighting Fixture Lamping: MR-11, ALR

PROJECT	TYPE	CATALOG NUMBER
---------	------	----------------

Fixture Description:

A cast brass wall sconce utilizing a 20 Watt MR-11 or ALR lamp for uplighting, downlighting, wall washing or grazing illumination techniques.

Construction:

A solid brass sand casting with a glass sealed louvered aperture.

Electrical:

Remote 12-volt power supply or recessed solid state transformer.

Mounting:

Solid brass 8/32" phillips screws mount faceplate to housing.

Finishes:

1. Verde, 2. Pewter, 4. White, 5. Ancient Bronze, 6. Brass Bronze, 7. Custom,
9. Ancient Verde, 10. Grey Bronze, 11. Rust Brown*, 12. Black*,
13. Pewter

*Powder coat

Lamp:

20 watt bi-pin MR-11 with front glass or 20 watt ALR lamp.

Lenses:

Linear and diffusion.

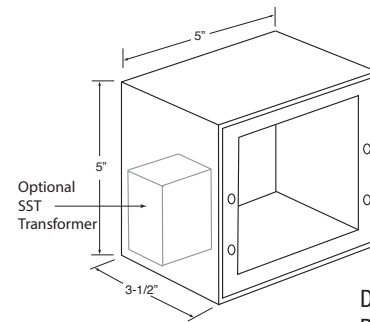
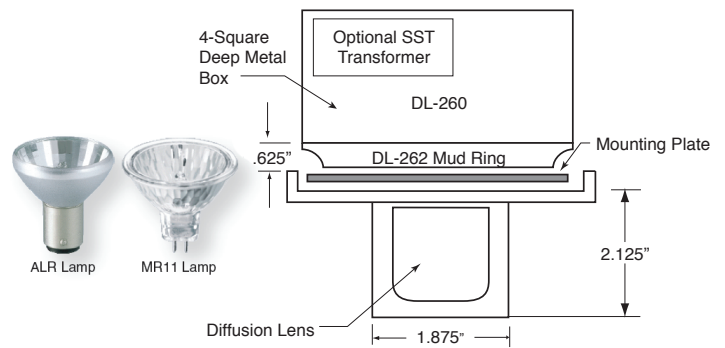
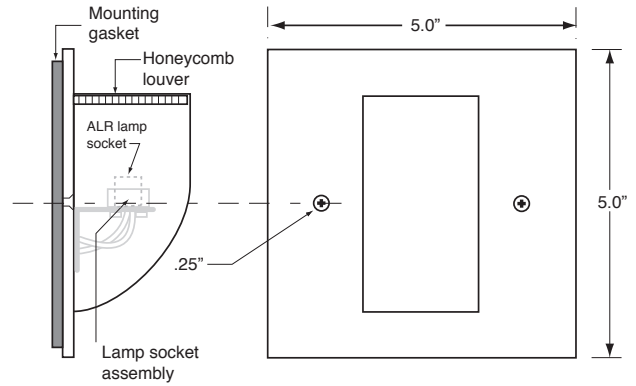
Housings:

Cat. Number	Description
DL-260	4" square deep steel box
DL-260-B	Square deep brass box
DL-261	2 gang cast aluminum box with extension collar.
DL-262	2 gang 1/2" raised mounting ring for use with DL-260 housing (included with face plate)

Lamps:

Cat. Number	Description
701	20W, 20° MR-11 Spot
702	20W, 30° MR-11 Flood
705	20W, 6° ALR
706	20W, 18° ALR
707	20W, 32° ALR

- Finishes:** 1. Verdè 2. Satin Nickel 3. Copper Bronze 4. White* 5. Ancient Bronze
6. Brass Bronze, 7. Custom 9. Ancient Verdè 10. Grey Bronze 11. Rust Brown*
12. Black*, 13. Pewter 14. Oil-Rubbed Bronze 15. Copper-Edged Bronze
*powder coat finish



DL-260-B
Brass Sq. Box

To Form a Catalog Number:	Part No. DL-126	Location WET	Lens B	Lamp 701	Finish 6
Which Specifies:	DL-126	DRY	A - Linear	701	6 - Brass Bronze
	Requires remote transformer	DAMP	B - Diffusion	702	See all finishes above
	DL-126-SST	WET		705	
	Includes solid state transformer			706	
				707	

Ordering Example: **DL-126-WET-B-701-6**
DL-126-SST-DRY-B-701-6