

### Solid Brass Exterior Path Lighting Fixture Lamping: MR-11, ALR

PROJECT	TYPE	CATALOG NUMBER
---------	------	----------------

**Fixture Description:**

A cast brass path light utilizing a 20 Watt MR-11 or ALR lamp for downlighting, wall washing or path illumination techniques.

**Construction:**

A solid brass sand casting with a glass sealed louvered aperture.

**Electrical:**

Remote 12-volt power supply or recessed solid state transformer.

**Mounting:**

Solid brass 8/32" phillips screws mount faceplate to housing.

**Finishes:**

1. Verde
2. Pewter
4. White
5. Ancient Bronze
6. Brass Bronze
7. Custom
9. Ancient Verde
10. Grey Bronze
11. Rust Brown\*
12. Black\*
13. Pewter

\*Powder coat

**Lamp:**

20 watt bi-pin MR-11 with front glass or 20 watt ALR lamp.

**Lenses:**

Linear and diffusion.

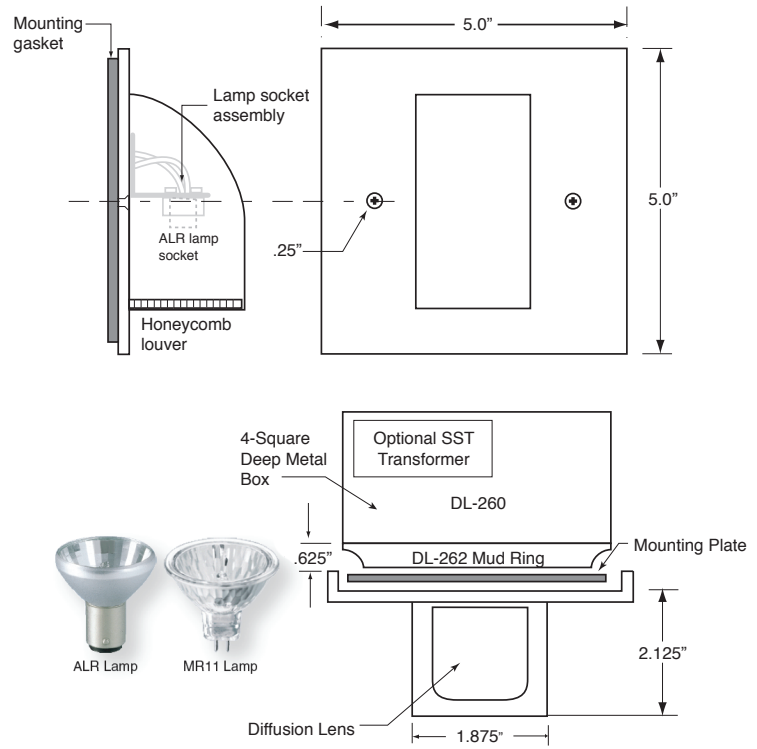
**Housings:**

Cat. Number	Description
DL-260	4" square deep steel box
DL-260-B	Square deep brass box
DL-261	2 gang cast aluminum box with extension collar.
DL-262	2 gang 1/2" raised mounting ring for use with DL-260 housing (included with face plate)

**Lamps:**

Cat. Number	Description
701	20W, 20° MR-11 Spot
702	20W, 30° MR-11 Flood
705	20W, 6° ALR
706	20W, 18° ALR
707	20W, 32° ALR

- Finishes:** 1. Verdè 2. Satin Nickel 3. Copper Bronze 4. White\* 5. Ancient Bronze 6. Brass Bronze, 7. Custom 9. Ancient Verdè 10. Grey Bronze 11. Rust Brown\* 12. Black\*, 13. Pewter 14. Oil-Rubbed Bronze 15. Copper-Edged Bronze  
\*powder coat finish



DL-260-B  
Brass Sq. Box

To Form a Catalog Number:	Part No.	Location	Lens	Lamp	Finish
	DL-126	WET	B	701	6
<b>Which Specifies:</b>	<b>DL-126</b>	DRY	A - Linear	701	6 - Brass Bronze
	Requires remote transformer	DAMP	B - Diffusion	702	
	<b>DL-126-SST</b>	WET		705	See all finishes above
	Includes solid state transformer			706	
				707	

Ordering Example: **DL-126-WET-B-701-6**  
**DL-126-SST-DRY-B-701-6**